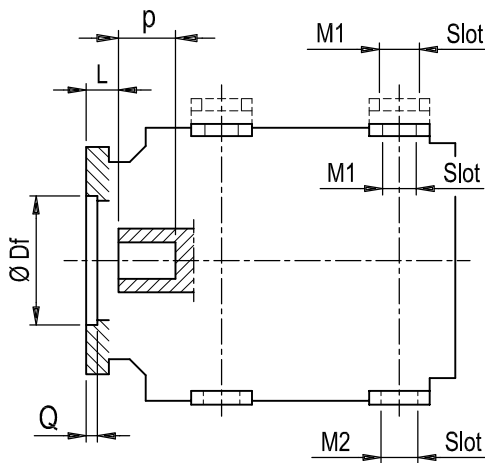


LA ELMO S.r.l. SI RISERVA IL DIRITTO DI APPORTARE QUALSIASI VARIAZIONE SENZA ALCUN PREAVVISO. IN ANY MOMENT AND WITHOUT NOTICE ELMO CAN CHANGE MANUFACTURING PROCESS, PERFORMANCE FEATURES.

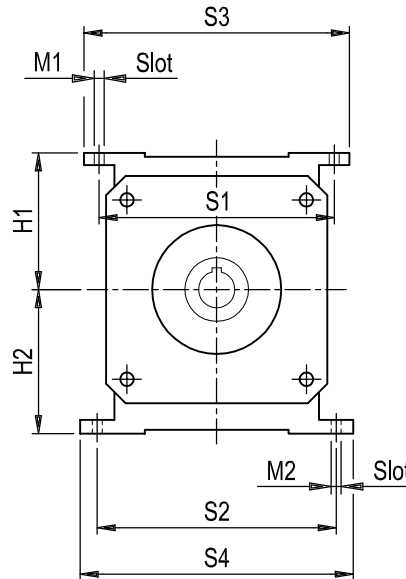
V.le Certosa 8/B - 27100 Pavia Italy
 Tel. + 39 382 529564 - 422372
 Fax. + 39 382 527041
 E-Mail: info@elmoitaly.com

SUBMERSIBLE MOTORS FOR HYDRAULIC LIFTS
UNTEROELMOTOREN FÜR HYDRAULISCHE AUFZÜGE
MOTEURS IMMERGÉS DANS L'HUILE POUR ASCENSEURS HIDRAULIQUES

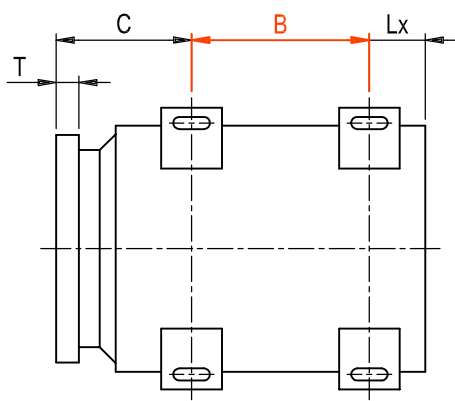
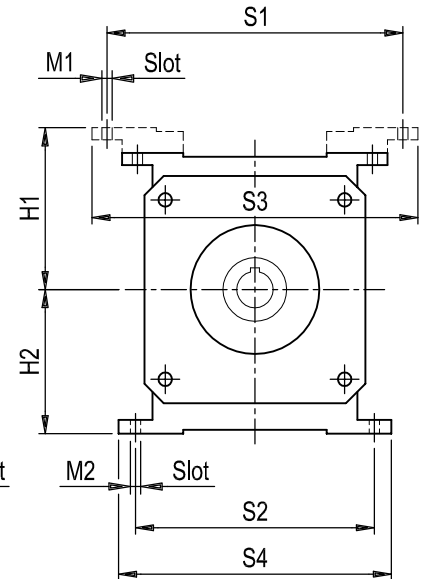
Flange / Frame and Shaft / Hole



Digit Fixing = 2 or 7

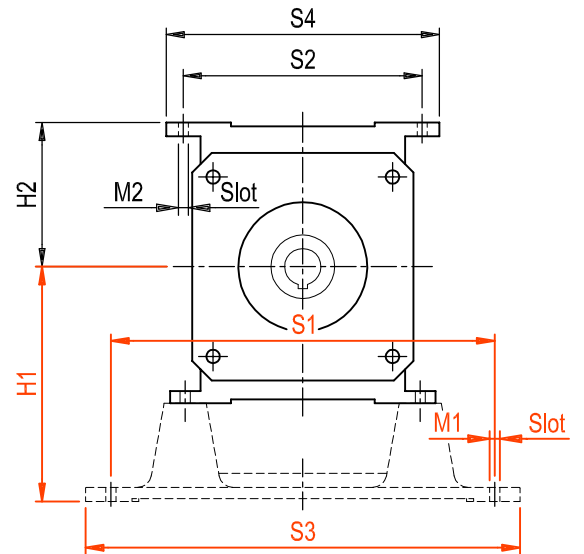


Digit Fixing = 4 or 8



Holes and Key

Digit Fixing = 6



Only for motors Size 1 and Size 2

For motors flange dimensions see sheets: Dim. Fr. CSA-2

Digit Coupling	Flywheel	Flange Diam.	Frame Dimensions				Shaft / Hole					Size	Digit Fixing	Fixing Frame Dimensions													
			Ø Df	Q	T	C	Lx	Ø dr	k	r	p			L	H1	S1	S3	M1	H2	S2	S4	M2					
0	NO	82.55	10	-	49	54	14	5	16.3	31	14	1	2	90	148	180	13x21	100	160	190	13x23						
5	YES	155	7	14	116		32	10	35.3	66	40											4	132	216	252	13x25	
6	NO				67																						12
7	NO				67																						
7	YES	116	45																								
8	NO	220		8	14	95	61	32	10	35.3	66	40	7	132	148	190	13x35	132	216	256	13x43						
8	YES	144																									
X	NO	111.1	8	12	100	32	10	35.3	66	45	8	160	254	300	17x43												
U	NO		10	19																							
9	NO	220	8	14	87	61	32	10	35.3	66	40	7	132	148	190	13x35	132	216	256	13x43							
9	YES				160																						
Z	NO	111.1	10	12	93	32	10	35.3	66	45	8	160	254	300	17x43												
Y	NO				19																						
U	NO	92																									