

LA ELMO S.r.l. SI RISERVA IL DIRITTO DI APPORTARE QUALSIASI VARIAZIONE SENZA ALCUN PREAVVISO. IN ANY MOMENT AND WITHOUT NOTICE ELMO CAN CHANGE MANUFACTURING PROCESS, PERFORMANCE FEATURES.



ELMO

MOTORI IMMERSI PER ASCENSORI IDRAULICI



Dim. Fr.

CSA-1A

V.le Certosa 8/B - 27100 Pavia Italy
 Tel. + 39 382 529564 - 422372
 Fax. + 39 382 527041
 E-Mail: info@elmoitaly.com

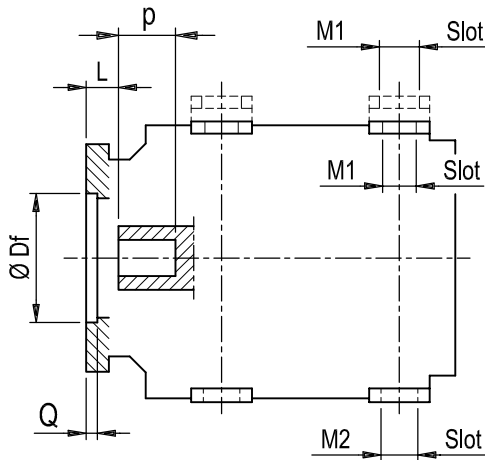
SUBMERSIBLE MOTORS FOR HYDRAULIC LIFTS

UNTEROELMOTOREN FÜR HYDRAULISCHE AUFZÜGE

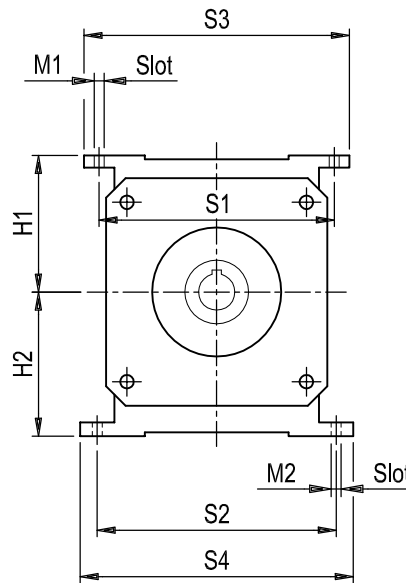
MOTEURS IMMERGÉS DANS L'HUILE POUR ASCENSEURS HIDRAULIQUES

14-05-2015

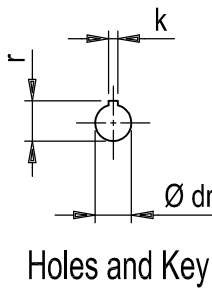
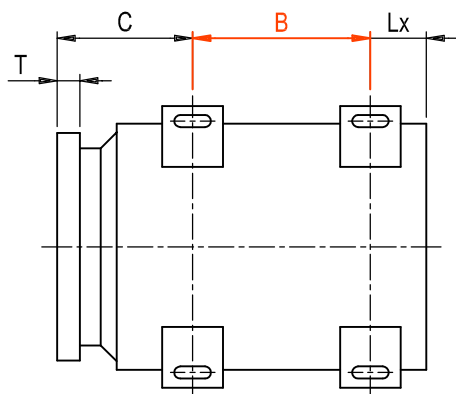
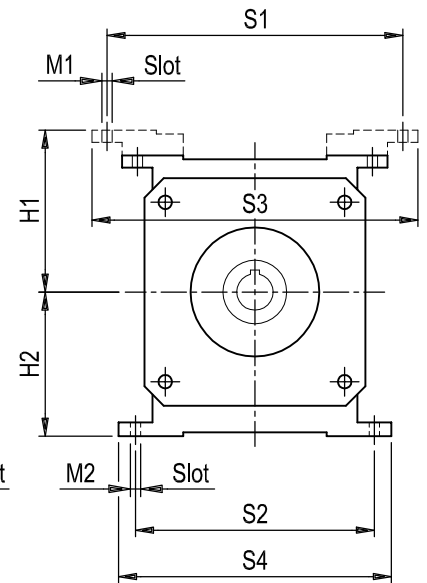
Flange / Frame and Shaft / Hole



Digit Fixing = 1

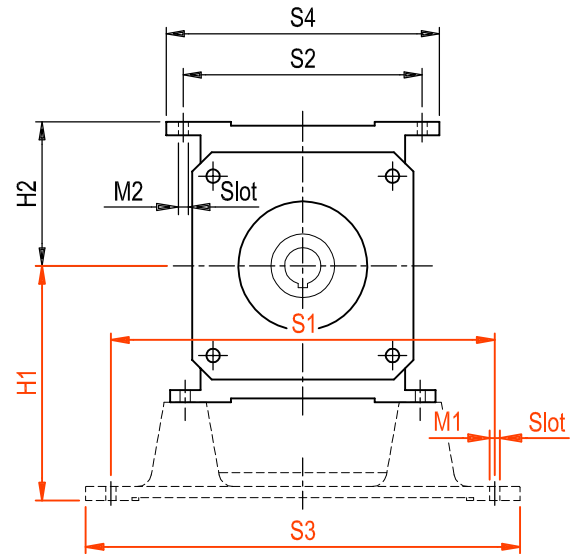


Digit Fixing = 3



Holes and Key

Digit Fixing = 5



Only for motors Size 3 an Size 4

For motors flange dimensions see sheets: Dim. Fr. CSA-2A

Digit Coupling	Flywheel	Flange Diam. Ø Df	Frame Dimensions				Shaft / Hole					Size	Digit Fixing	Fixing Frame Dimensions								
			Q	T	C	Lx	Hole Ø dr	Key k r		Length p L				H1	S1	S3	M1	H2	S2	S4	M2	
0	NO	82.55	10	-	35	50	14	5	16.3	31	14	3 or 4	1	90	148	180	13x21	90	112	141	11x21	
4	NO	155	7	14	63		19	6	21.8	36	32											
5	YES				107																	12
7	NO				75																	
7	YES	107	8	14	103	32	10	35.3	56	40	5	160	254	290	17x37	90	112	141	11x21			
8	NO	103																				
8	YES	220	10	12	135	32	10	35.3	56	40	55	3	132	216	252	13x25	90	112	141	11x21		
X	NO	111.1			107																	