

IN ANY MOMENT AND WITHOUT NOTICE ELMO CAN CHANGE MANUFACTURING PROCESS, PERFORMANCE FEATURES.



ELMO

MOTORI IMMERSI PER ASCENSORI IDRAULICI



Dim. Fr.

CSA-2A

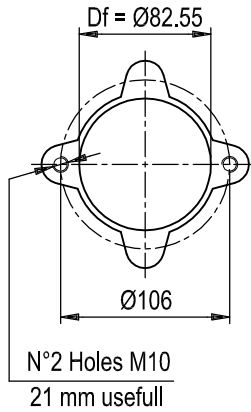
V.le Certosa 8/B - 27100 Pavia Italy
 Tel. + 39 382 529564 - 422372
 Fax. + 39 382 527041
 E-Mail: info@elmoitaly.com

SUBMERSIBLE MOTORS FOR HYDRAULIC LIFTS
UNTEROELMOTOREN FÜR HYDRAULISCHE AUFZÜGE
MOTEURS IMMERGÉS DANS L'HUILE POUR ASCENSEURS HYDRAULIQUES

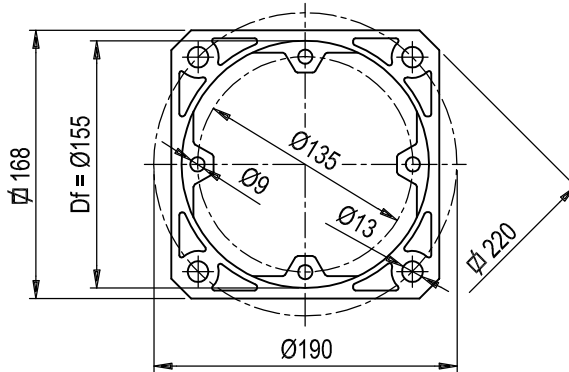
27/08/2015

Motor Flange Dimensions

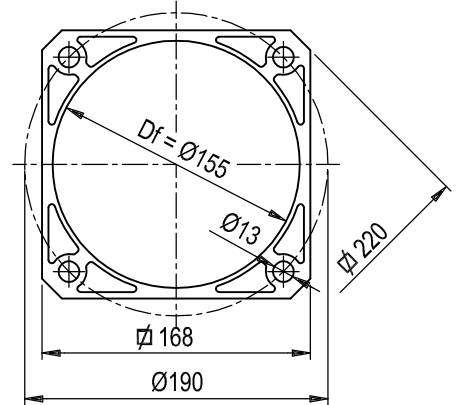
Digit Coupling = 0
 Motor without flywheel



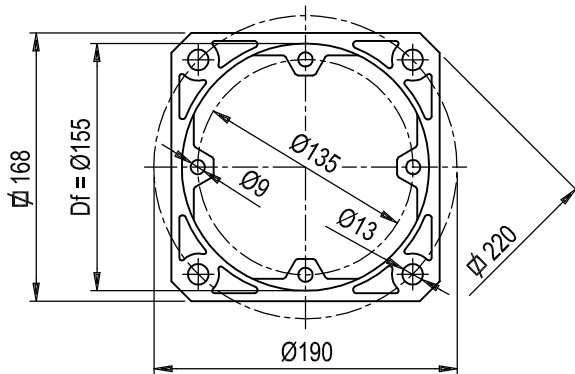
Digit Coupling = 4
 Motor without flywheel



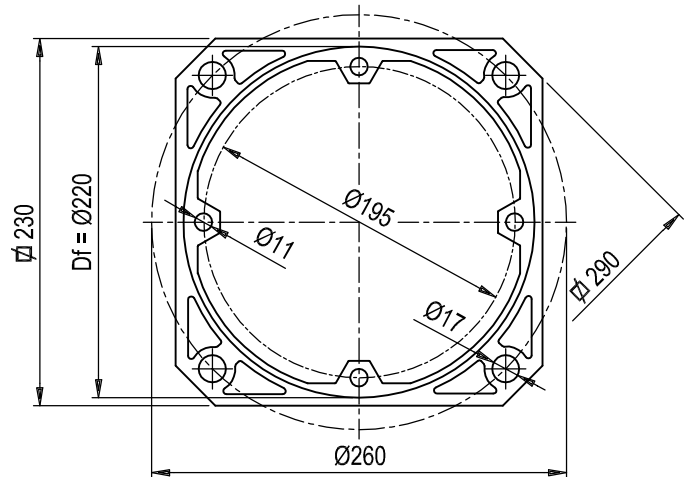
Digit Coupling = 5 or 7
 Motor with flywheel



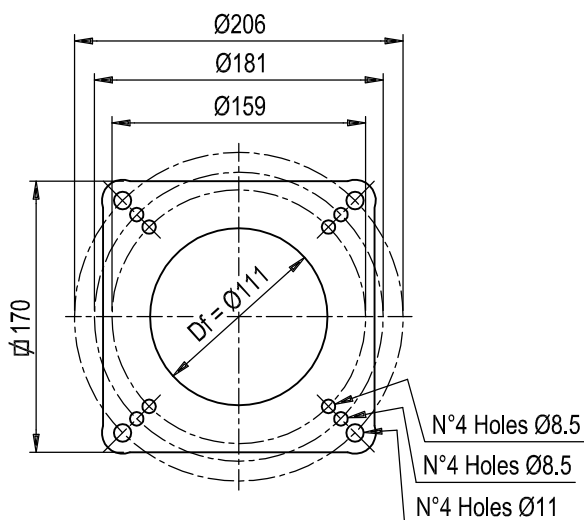
Digit Coupling = 6 or 7
 Motor without flywheel



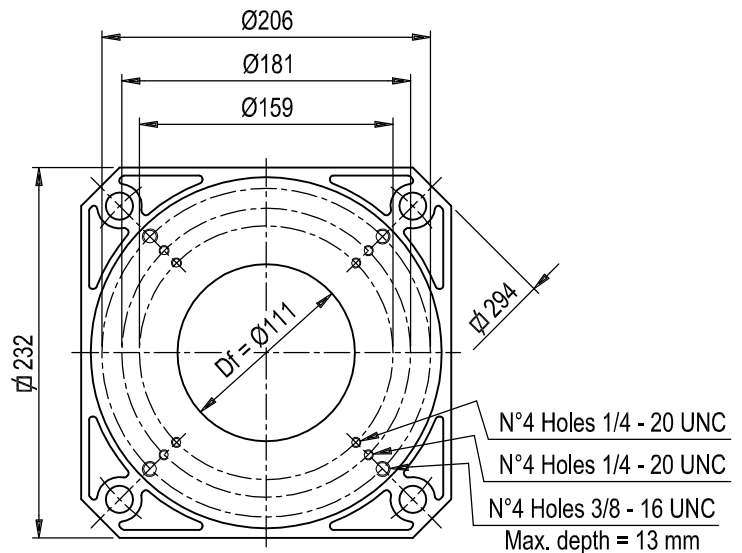
Digit Coupling = 8 or 9 or Z
 Motor with or without flywheel



Digit Coupling = X or Y
 Motor without flywheel



Digit Coupling = U
 Motor without flywheel



LA ELMO S.r.l. SI RISERVA IL DIRITTO DI APPORTARE QUALSIASI VARIAZIONE SENZA ALCUN PREAVVISO.