



# ELMO

V.le Certosa 8/B - 27100 Pavia Italy  
 Tel. + 39 382 529564 - 422372  
 Fax. + 39 382 527041  
 E-Mail: info@elmoitaly.com

Submersible motors Size 2 for hydraulic lifts suitable to be fit Settima Meccanica

special screw pumps with flow rate 1200 and 1400 liter at 60 Hz

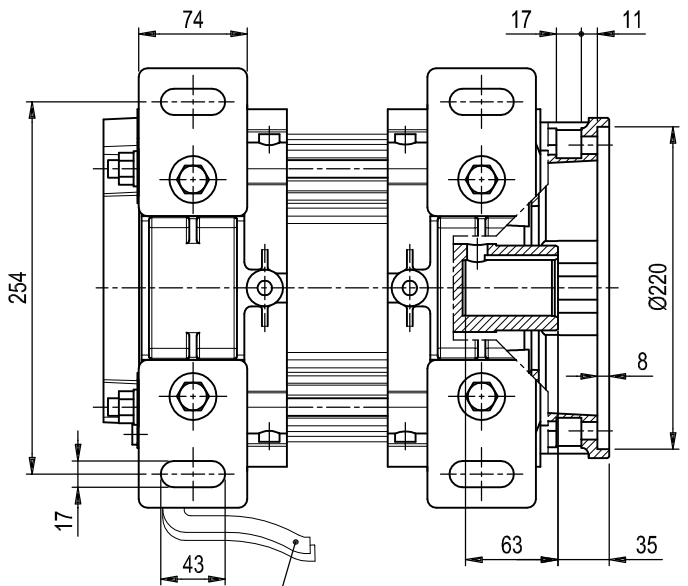
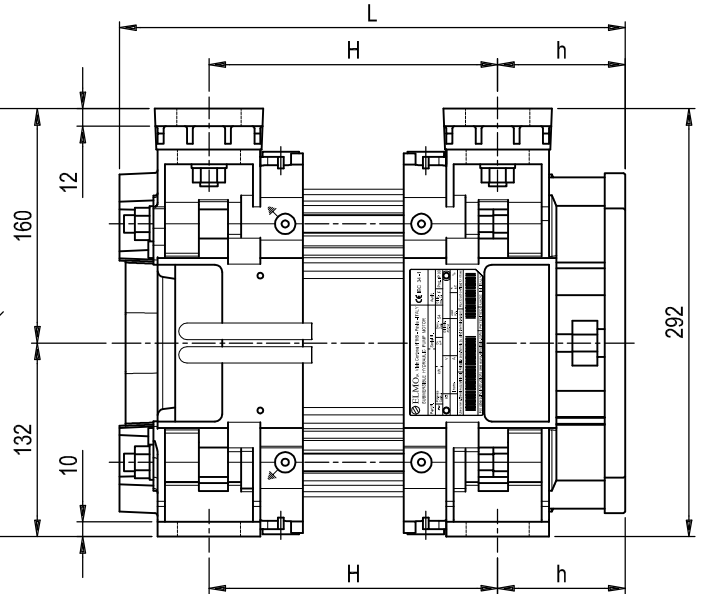
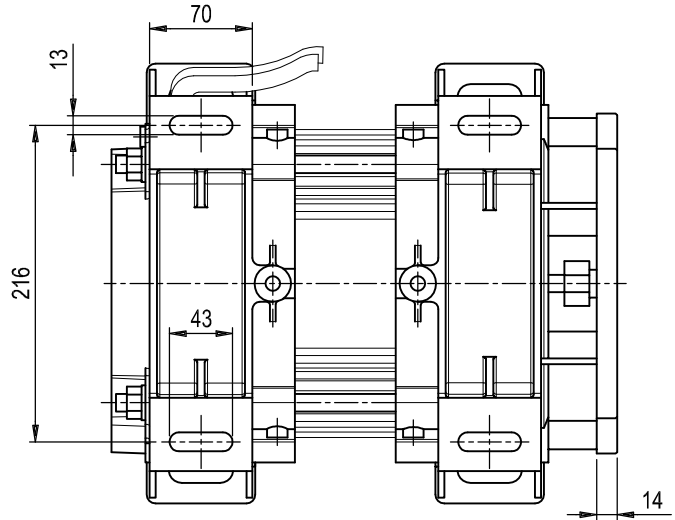
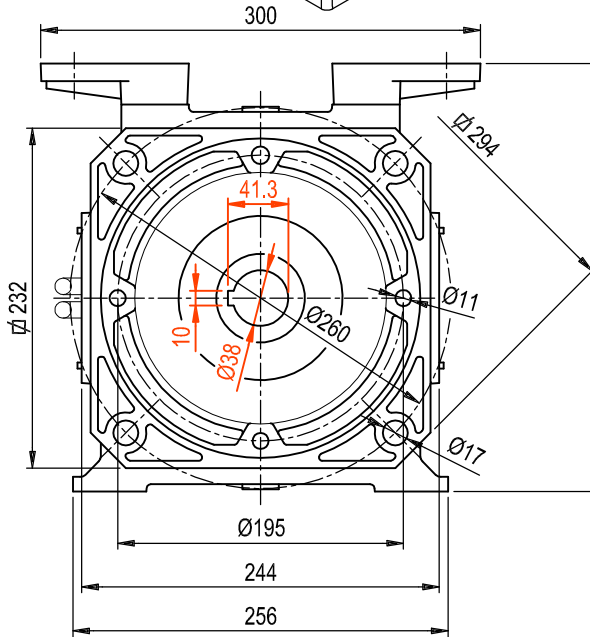
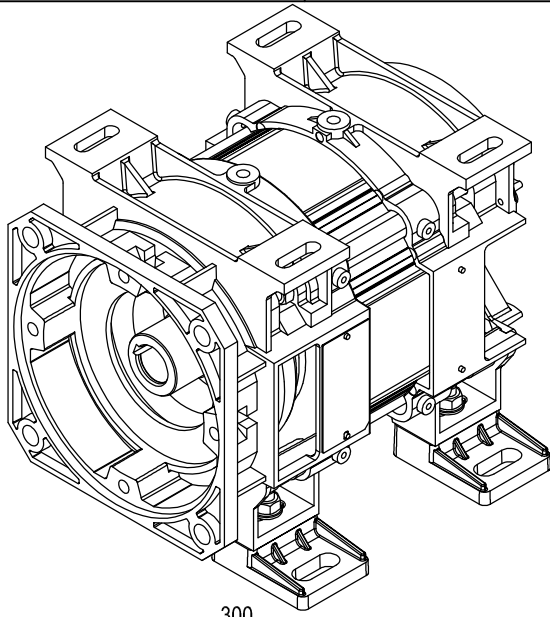
Shaft / hole  $\varnothing 38$  mm Flange  $\varnothing 220$  mm

60 Hz  
 S792---T-S9-  
 1703-07

MOTORI TRIFASI THREE PHASE MOTORS DREIPHASEENMOTOREN MOTEURS TRIPHASES

IN ANY MOMENT AND WITHOUT NOTICE ELMO CAN CHANGE MANUFACTURING PROCESS, PERFORMANCE FEATURES.

LA ELMO S.r.l. SI RISERVA IL DIRITTO DI APPORTARE QUALSIASI VARIAZIONE SENZA ALCUN PREAVVISO.



La potenza in targhetta espressa con **A8- kW** equivale a 108 kW  
 La potenza in targhetta espressa con **C5- kW** equivale a 125 kW

Nominal output shown with **A8- kW** is equal to 108 kW  
 Nominal output shown with **C5- kW** is equal to 125 kW

### MOTORS WITHOUT FLYWHEEL

TIPO - TYPE	GRANDEZZA - ACCOPPIAM. SIZE - SUITABLE TO	POLARITA' - POLES SERIE - INTERVAL SERIES	kW	TRIFASE - THREE PHASE	TENSIONE VOLTAGE	60 Hz - CYCLES AT 60 Hz	ATTACCHI - FEET TERMINALI - LEAD TERMINAL	DIMENSIONI DIMENSION			POTENZA A 60 Hz NOMINAL OUTPUT AT 60 Hz
								L	h	H	
S	7	9	2			S	9	395	87	247	6 5 -
			4					420		272	7 7 -
			5					460		312	9 8 -
			7					510		362	1 2 5
			9					565		417	1 4 7
			<b>A8</b>					615		467	1 7 0
			<b>C5</b>								

m. 1.40 LUNGH. STANDARD CAVI ALIMENTAZIONE  
 STANDARD LEADS LENGTH