



ELMO

V.le Certosa 8/B - 27100 Pavia Italy
 Tel. + 39 382 529564 - 422372
 Fax. + 39 382 527041
 E-Mail: info@elmoitaly.com

MOTORI IMMERSI PER ASCENSORI IDRAULICI
 SUBMERSIBLE MOTORS FOR HYDRAULIC LIFTS

UNTEROELMOTOREN FÜR HYDRAULISCHE AUFZUEGE

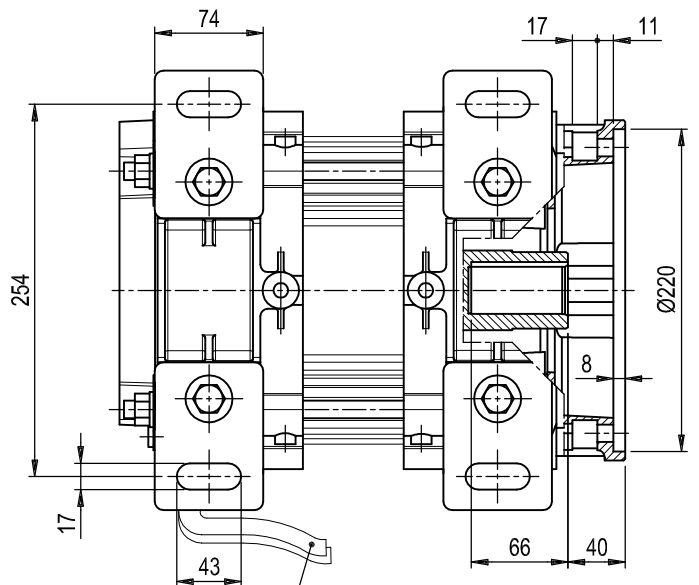
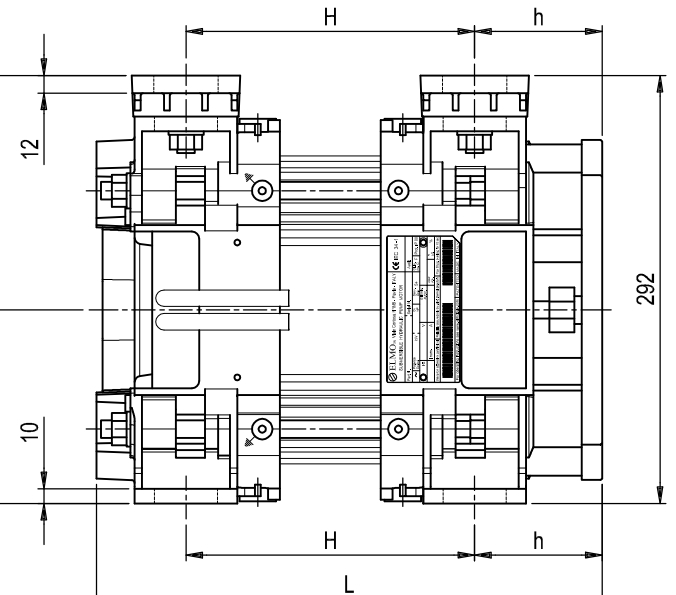
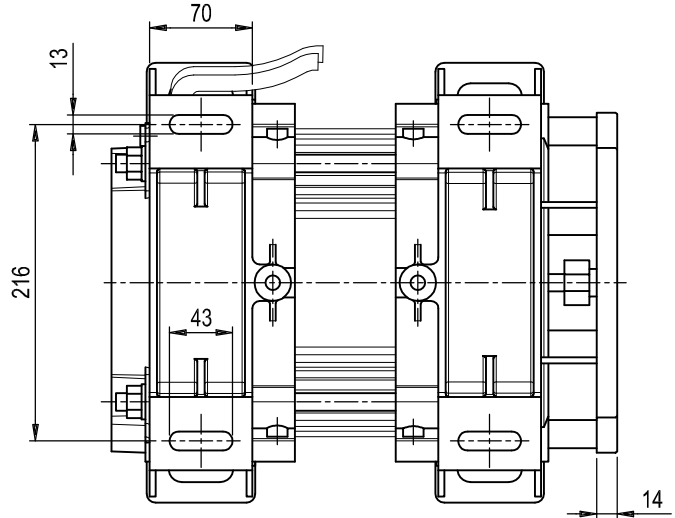
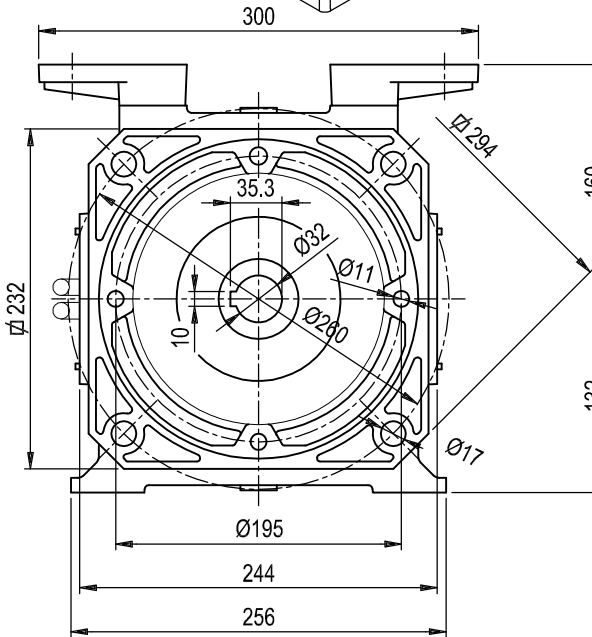
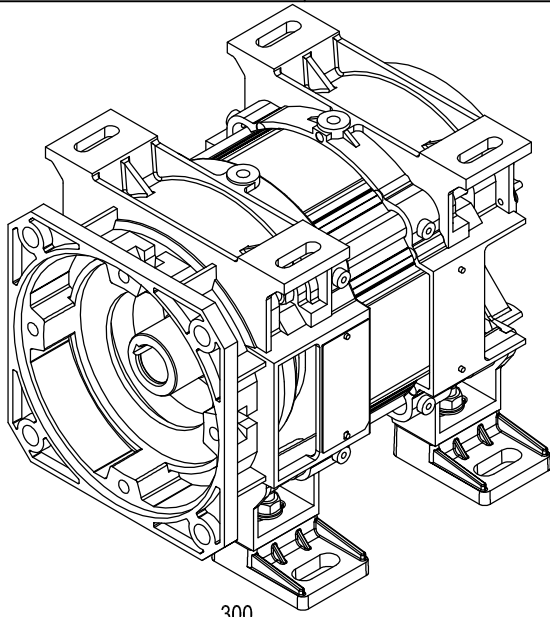
MOTEURS IMMERGÉS DANS L'HUILE POUR ASCENSEURS HYDRAULIQUES

MOTORI TRIFASI THREE PHASE MOTORS DREIPHASEENMOTOREN MOTEURS TRIPHASES

60 Hz
 S762---T-S9-
 1703-07

IN ANY MOMENT AND WITHOUT NOTICE ELMO CAN CHANGE MANUFACTURING PROCESS, PERFORMANCE FEATURES.

LA ELMO S.r.l. SI RISERVA IL DIRITTO DI APPORTARE QUALSIASI VARIAZIONE SENZA ALCUN PREAVVISO.



La potenza in targhetta espressa con **A8- kW** equivale a 108 kW
 La potenza in targhetta espressa con **C5- kW** equivale a 125 kW
 Nominal output shown with **A8- kW** is equal to 108 kW
 Nominal output shown with **C5- kW** is equal to 125 kW

MOTORS WITHOUT FLYWHEEL

TIPO - TYPE	GRANDEZZA - ACCOPPIAM. SIZE - SUITABLE TO	POLARITÀ - POLES SERIE - INTERVAL SERIES	kW	TRIFASE - THREE PHASE	TENSIONE VOLTAGE	60 Hz - CYCLES AT 60 Hz	ATTACCHI - FEET TERMINALI - LEAD TERMINAL	DIMENSIONI DIMENSION			POTENZA A 60 Hz NOMINAL OUTPUT AT 60 Hz	
								L	h	H		HP
S	7	6	2			S	9	395	87	247	6	5
			4					420		272	7	7
			5					460		312	9	8
			7					510		362	1	2
			9					565		417	1	4
			A8					615		467	1	7
			C5									0

m. 1.40 LUNGH. STANDARD CAVI ALIMENTAZIONE
 STANDARD LEADS LENGTH