

LA ELMO S.r.l. SI RISERVA IL DIRITTO DI APPORTARE QUALSIASI VARIAZIONE SENZA ALCUN PREAVVISO.

IN ANY MOMENT AND WITHOUT NOTICE ELMO CAN CHANGE MANUFACTURING PROCESS, PERFORMANCE FEATURES.



ELMO

V.le Certosa 8/B - 27100 Pavia Italy
 Tel. + 39 382 529564 - 422372
 Fax. + 39 382 527041
 E-Mail: info@elmoitaly.com

MOTORI IMMERSI PER ASCENSORI IDRAULICI
 SUBMERSIBLE MOTORS FOR HYDRAULIC LIFTS

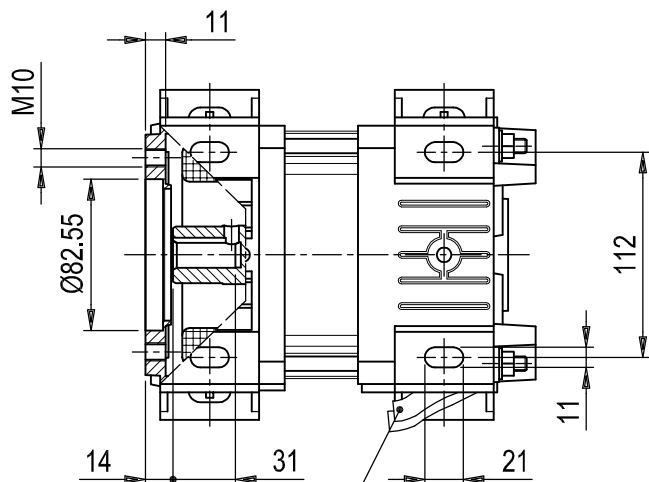
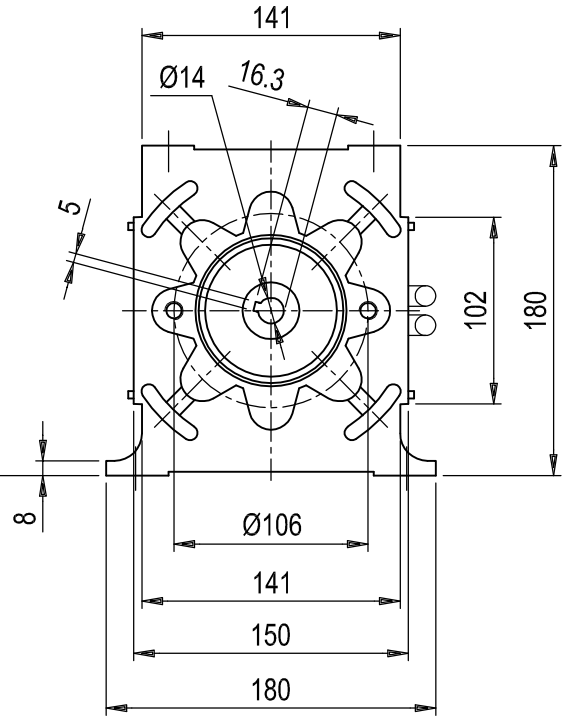
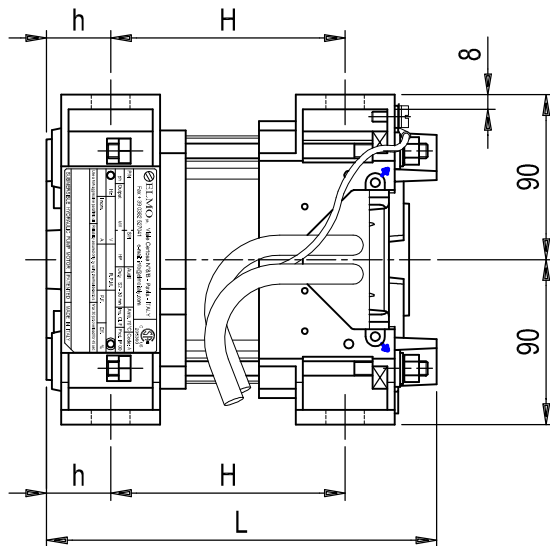
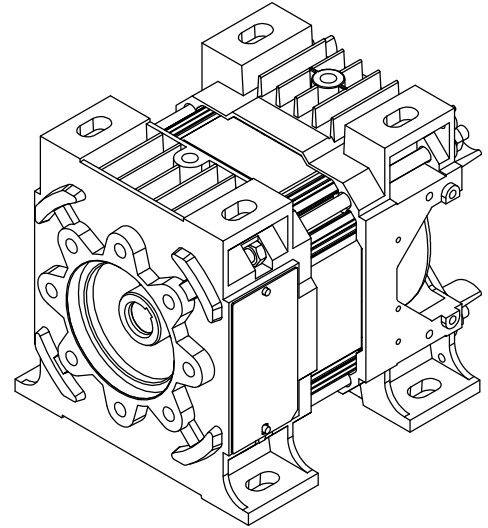
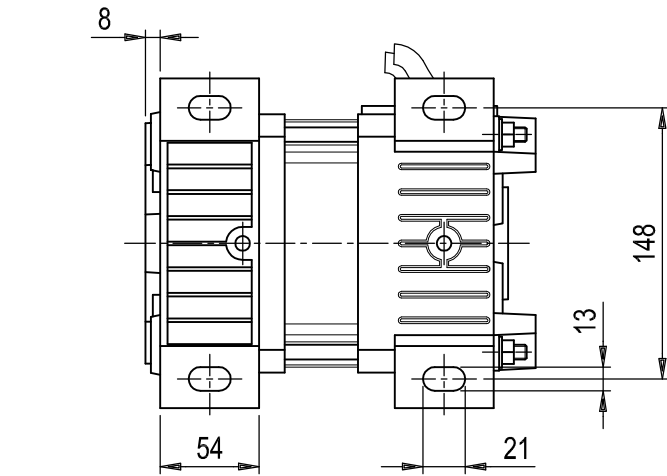
UNTEROELMOTOREN FÜR HYDRAULISCHE AUFZUEGE

MOTEURS IMMERGÉS DANS L'HUILE POUR ASCENSEURS HYDRAULIQUES

MOTORI TRIFASI THREE PHASE MOTORS DREIPHASEENMOTOREN MOTEURS TRIPHASES



60 Hz
 64TS-U-0S1-
 1706-12



m.1.40 LUNGH. STANDARD CAVI ALIMENTAZIONE
 STANDARD LEADS LENGTH

MOTORS WITHOUT FLYWHEEL

| GRANDEZZA - SIZE | | POLARITÀ - POLARITY | | ALIMENTAZ. - POWER SUPPLY | | FREQUENZA - FREQUENCY | | POTENZA A 60 Hz NOMINAL OUTPUT AT 60 Hz | | OMOLOGAZ. TIPO - TYPE APPROVAL | | TENSIONE VOLTAGE | | SERIE CAVI - CABLE LENGTH | | ACCOPIAMENTO - SUITABLE TO | | SENZA VOLANO - WITHOUT FLYWHEEL | | PIEDI, FISSAGGIO - FIXING FEET | | ALTRE QUOTE - OTHER DIMENS. | | DIMENSIONI D'INGOMBRO OVERALL DIMENSION | | POTENZA A 60 Hz NOMINAL OUTPUT AT 60 Hz | | | | | | | | | | | | | | | | | | | | | | |
|------------------|---|---------------------|---|---------------------------|---|-----------------------|---|--|---|--------------------------------|---|---------------------|-----|---------------------------|-----|----------------------------|---|---------------------------------|---|--------------------------------|-----|-----------------------------|---|--|---|--|-----|---|---|---|---|-----|-----|---|---|---|---|-----|-----|---|---|---|---|-----|-----|---|---|---|
| 6 | 4 | T | S | 0 | 0 | 9 | U | V | 0 | S | 1 | Z | 202 | 35 | 118 | - | 1 | 2 | V | 212 | 128 | - | 1 | 7 | U | 227 | 143 | - | 2 | 5 | S | 242 | 158 | - | 3 | 5 | P | 257 | 173 | - | 5 | - | O | 272 | 188 | - | 6 | 5 |
| 6 | 4 | T | S | 0 | 0 | 9 | U | V | 0 | S | 1 | Z | 202 | 35 | 118 | - | 1 | 2 | V | 212 | 128 | - | 1 | 7 | U | 227 | 143 | - | 2 | 5 | S | 242 | 158 | - | 3 | 5 | P | 257 | 173 | - | 5 | - | O | 272 | 188 | - | 6 | 5 |