



# ELMO

V.le Certosa 8/B - 27100 Pavia Italy  
 Tel. + 39 382 529564 - 422372  
 Fax. + 39 382 527041  
 E-Mail: info@elmoitaly.com

MOTORI IMMERSI PER ASCENSORI IDRAULICI  
 SUBMERSIBLE MOTORS FOR HYDRAULIC LIFTS

UNTEROELMOTOREN FÜR HYDRAULISCHE AUFZUEGE

MOTEURS IMMERGÉS DANS L'HUILE POUR ASCENSEURS HYDRAULIQUES

MOTORI TRIFASI THREE PHASE MOTORS DREIPHASEENMOTOREN MOTEURS TRIPHASES

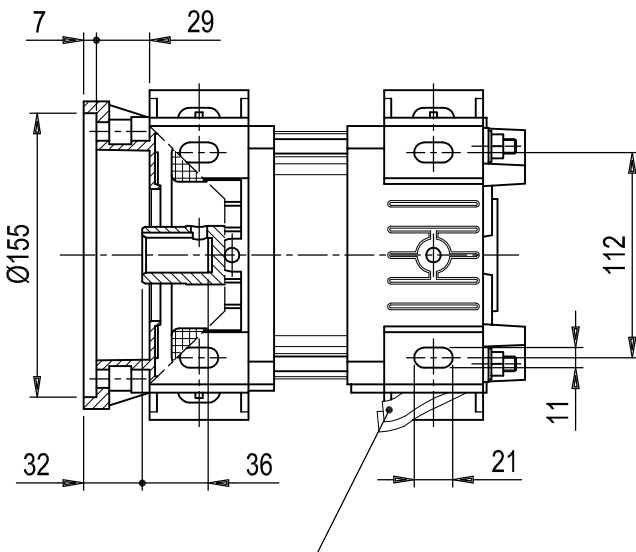
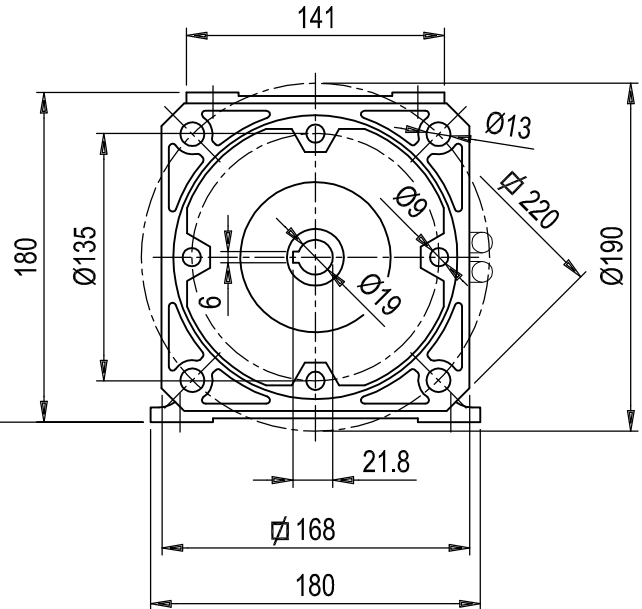
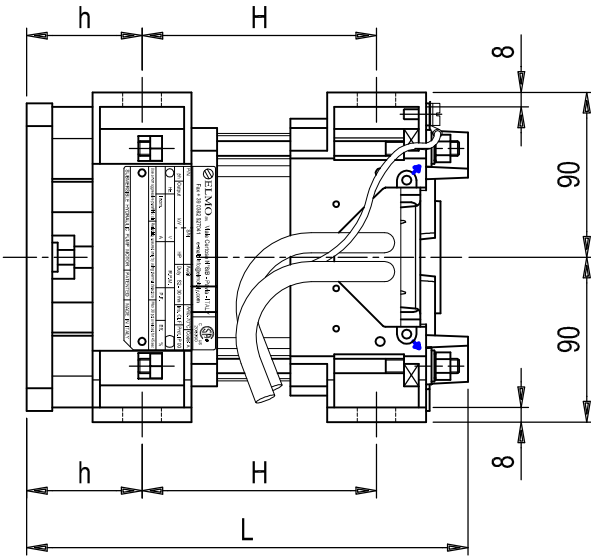
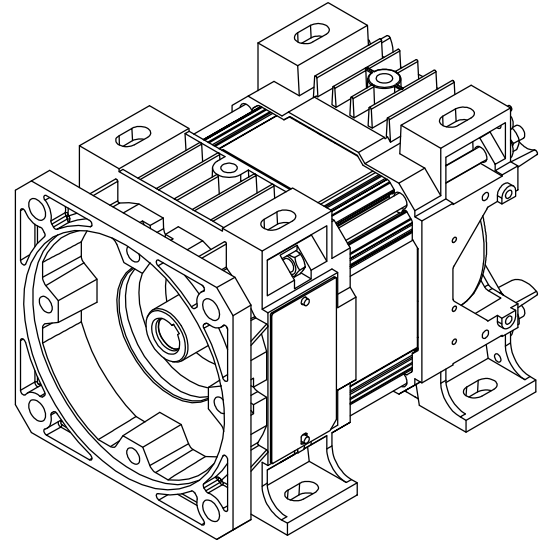
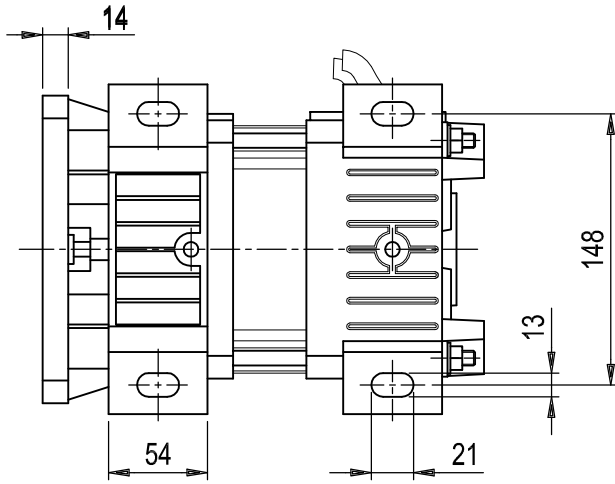


C US  
 205390

60 Hz  
 64TS-U-4S1-  
 1706-12

IN ANY MOMENT AND WITHOUT NOTICE ELMO CAN CHANGE MANUFACTURING PROCESS, PERFORMANCE FEATURES.

LA ELMO S.r.l. SI RISERVA IL DIRITTO DI APPORTARE QUALSIASI VARIAZIONE SENZA ALCUN PREAVVISO.



m.1.40 LUNGH. STANDARD CAVI ALIMENTAZIONE  
 STANDARD LEADS LENGTH

### MOTORS WITHOUT FLYWHEEL

COD. BASE - BASIC P/N		POTENZA A 60 Hz NOMINAL OUTPUT AT 60 Hz		TENSIONE VOLTAGE		SERIE CAVI - CABLE LENGTH		ACCOPPIAMENTO - SUITABLE TO		SENZA VOLANO - WITHOUT FLYWHEEL		PIEDI FISSAGGIO - FIXING FEET		ALTRE QUOTE - OTHER DIMENS.		DIMENSIONI D'INGOMBRO OVERALL DIMENSION		POTENZA A 60 Hz NOMINAL OUTPUT AT 60 Hz		
6	4	0	9	U	V	4	1	Z	L	h	H	HP	L	h	H	HP	L	h	H	HP
0	1	3	0	0	13	0	1	V	240	63	118	1	230	63	118	1	230	63	118	1
0	1	8	0	1	8	0	1	V	240	63	128	1	240	63	128	1	240	63	128	1
0	1	8	0	1	8	0	1	U	255	63	143	2	255	63	143	2	255	63	143	2
0	2	6	0	2	6	0	2	S	270	63	158	3	270	63	158	3	270	63	158	3
0	3	7	0	3	7	0	3	P	285	63	173	5	285	63	173	5	285	63	173	5
0	4	8	0	4	8	0	4	O	300	63	188	6	300	63	188	6	300	63	188	6
0	5	5	0	5	5	0	5	F	315	63	203	7	315	63	203	7	315	63	203	7
0	6	6	0	6	6	0	6	E	330	63	218	9	330	63	218	9	330	63	218	9
0	7	5	0	7	5	0	7	L	350	63	238	10	350	63	238	10	350	63	238	10
0	9	0	0	9	0	0	9	H	375	63	263	12	375	63	263	12	375	63	263	12
1	1	0	1	1	0	1	1	Y	400	63	288	15	400	63	288	15	400	63	288	15
1	3	2	1	3	2	1	3	Y	400	63	288	18	400	63	288	18	400	63	288	18