



# ELMO

V.le Certosa 8/B - 27100 Pavia Italy  
 Tel. + 39 382 529564 - 422372  
 Fax. + 39 382 527041  
 E-Mail: info@elmoitaly.com

MOTORI IMMERSI PER ASCENSORI IDRAULICI  
 SUBMERSIBLE MOTORS FOR HYDRAULIC LIFTS

UNTERELEMOTOREN FÜR HYDRAULISCHE AUFZUEGE

MOTEURS IMMERGÉS DANS L'HUILE POUR ASCENSEURS HYDRAULIQUES

MOTORI TRIFASI THREE PHASE MOTORS DREIPHASENMOTOREN MOTEURS TRIPHASES

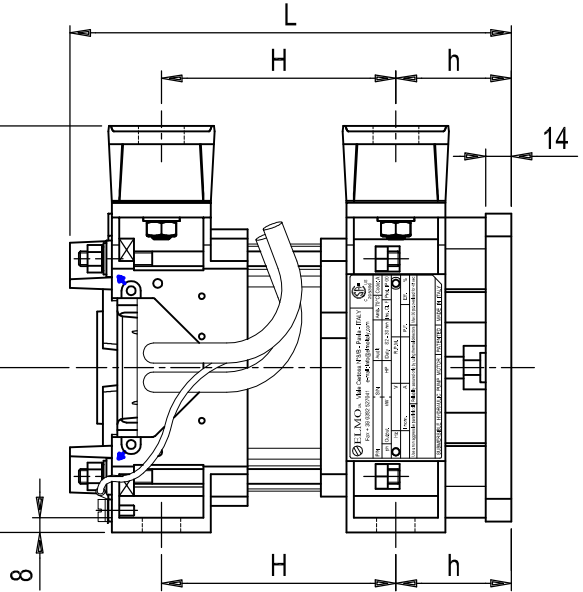
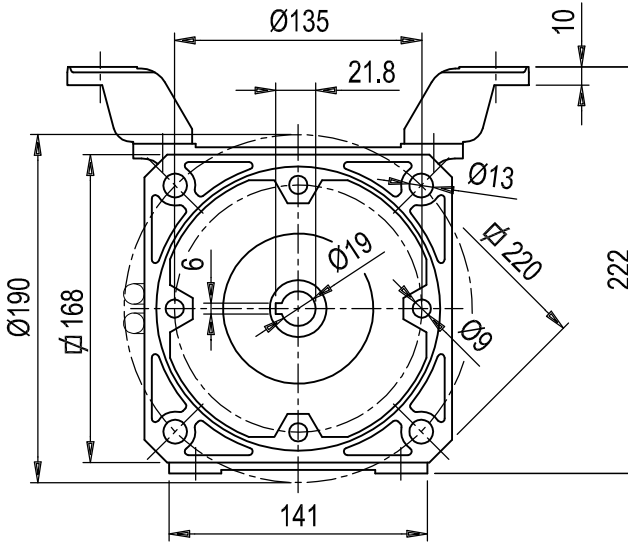
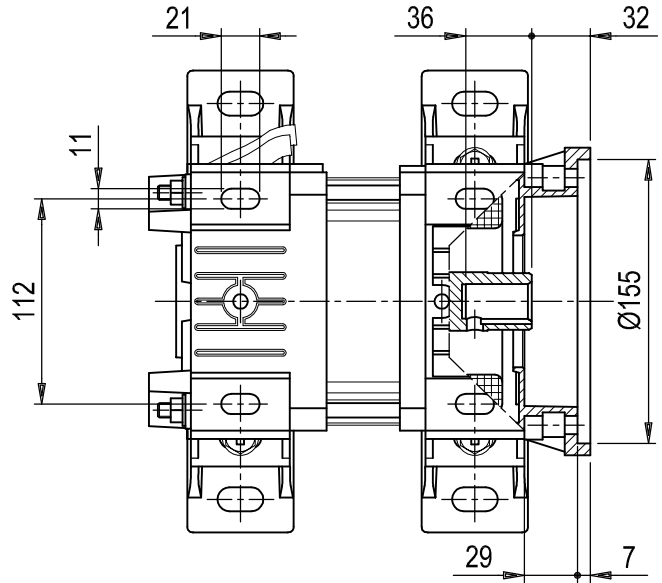
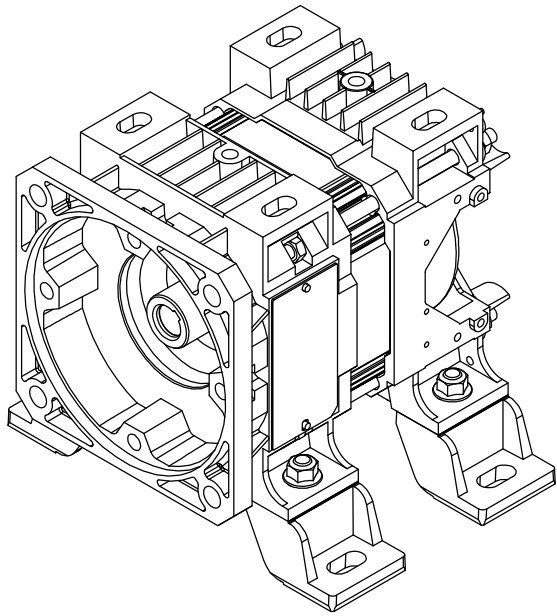


C US  
205390

60 Hz  
64TS-U-4S3-  
1706-12

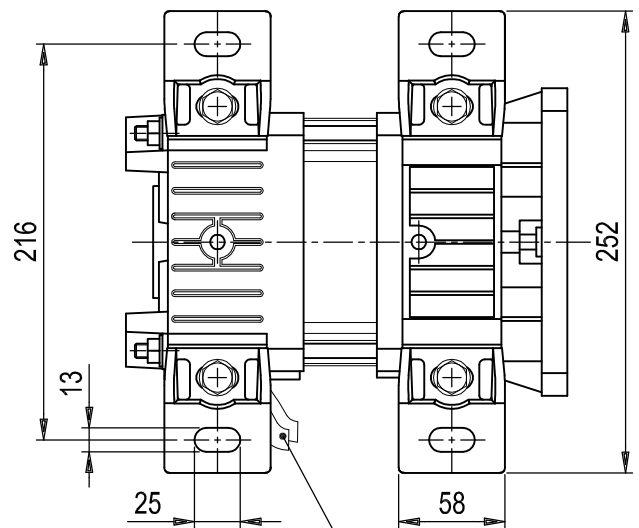
IN ANY MOMENT AND WITHOUT NOTICE ELMO CAN CHANGE MANUFACTURING PROCESS, PERFORMANCE FEATURES.

LA ELMO S.r.l. SI RISERVA IL DIRITTO DI APPORTARE QUALSIASI VARIAZIONE SENZA ALCUN PREAVVISO.



### MOTORS WITHOUT FLYWHEEL

| COD. BASE - BASIC P/N |                     | KW | TENSIONE<br>VOLTAGE | SERIE CAVI - CABLE LENGTH | ACCOPPIAMENTO - SUITABLE TO | SENZA VOLANO - WITHOUT FLYWHEEL | PIEDI FISSAGGIO - FIXING FEET | ALTRE QUOTE - OTHER DIMENS. | DIMENSIONI D'INGOMBRO<br>OVERALL DIMENSION |     |       | POTENZA A 60 Hz<br>NOMINAL OUTPUT AT 60 Hz |
|-----------------------|---------------------|----|---------------------|---------------------------|-----------------------------|---------------------------------|-------------------------------|-----------------------------|--|-----|-------|--|
| GRANDEZZA - SIZE      | POLARITÀ - POLARITY |    |                     |                           |                             |                                 |                               |                             | L  | h   | H     |  |
| 0                     | 4                   | 0  | U                   | 4                         | S                           | 3                               | Z                             | 230                         | 63   | 118 | - 1 2 |  |
| 0                     | 1                   | 3  |                     |                           |                             |                                 | V                             | 240                         |  | 128 | - 1 7 |  |
| 0                     | 1                   | 8  |                     |                           |                             |                                 | U                             | 255                         |  | 143 | - 2 5 |  |
| 0                     | 2                   | 6  |                     |                           |                             |                                 | S                             | 270                         |  | 158 | - 3 5 |  |
| 0                     | 3                   | 7  |                     |                           |                             |                                 | P                             | 285                         |  | 173 | - 5 - |  |
| 0                     | 4                   | 8  |                     |                           |                             |                                 | O                             | 300                         |  | 188 | - 6 5 |  |
| 0                     | 5                   | 5  |                     |                           |                             |                                 | F                             | 315                         |  | 203 | - 7 5 |  |
| 0                     | 6                   | 6  |                     |                           |                             |                                 | E                             | 330                         |  | 218 | - 9 - |  |
| 0                     | 7                   | 5  |                     |                           |                             |                                 | L                             | 350                         |  | 238 | 1 0 - |  |
| 0                     | 9                   | 0  |                     |                           |                             |                                 | H                             | 375                         |  | 263 | 1 2 - |  |
| 1                     | 1                   | 0  |                     |                           |                             |                                 | Y                             | 400                         |  | 288 | 1 5 - |  |
| 1                     | 3                   | 2  |                     |                           |                             |                                 | Y                             | 400                         |  | 288 | 1 8 - |  |



m.1.40 LUNGH. STANDARD CAVI ALIMENTAZIONE  
STANDARD LEADS LENGTH