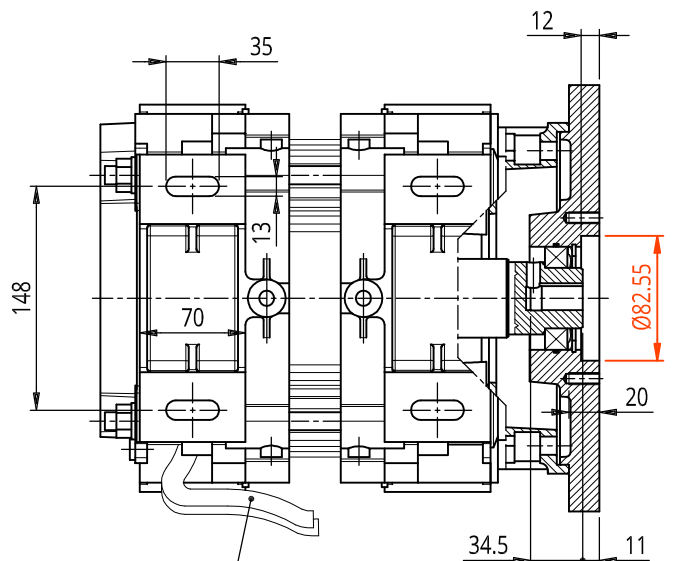
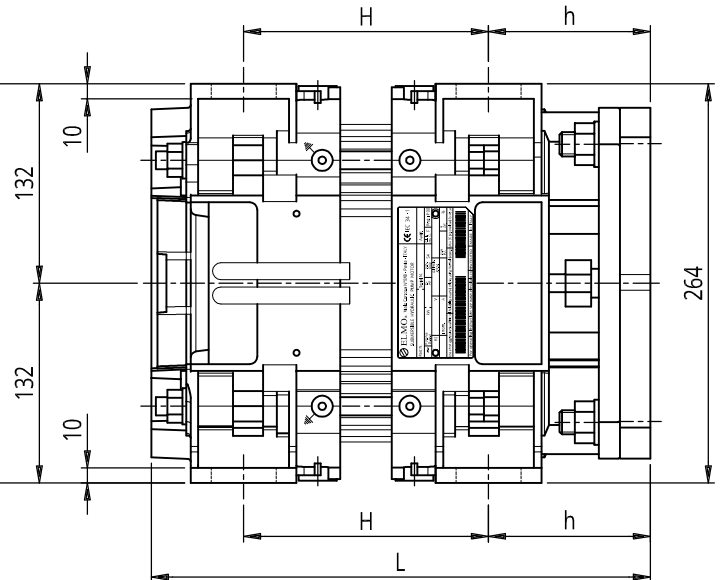
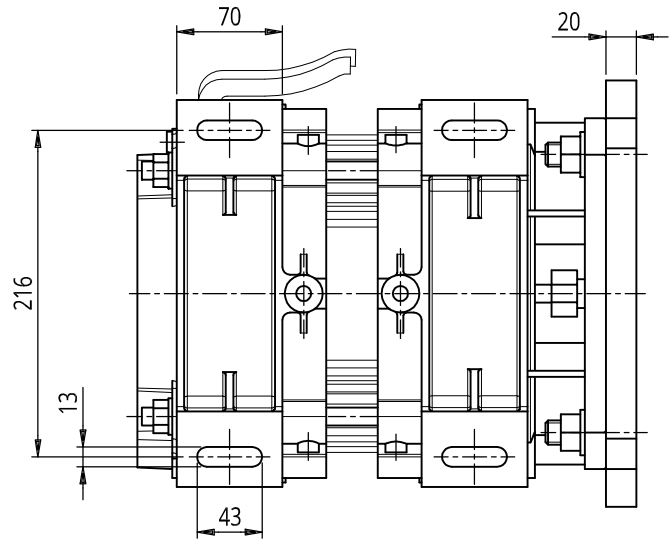
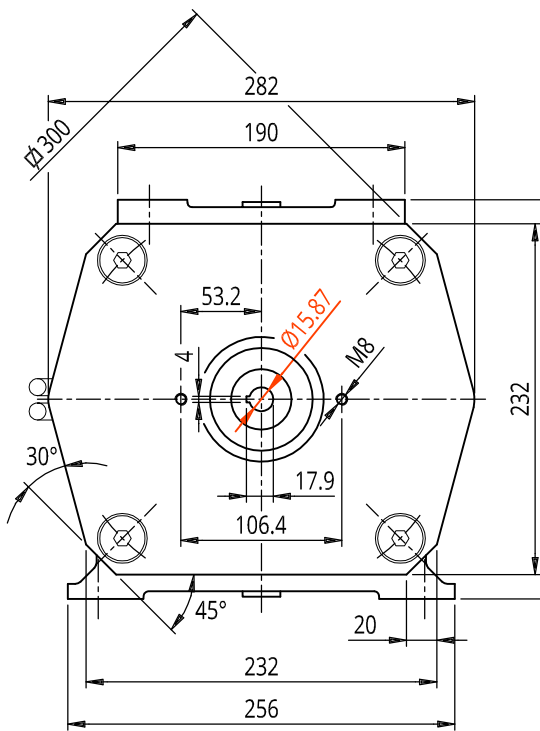


4 Poles Three Phase 50 Hz Motors Type S7A4-U

Shaft Ø15.87 mm Flange Ø82.55 mm

Suitable for Pump
Type SAEA - AC
Group 2



Duty Type			DIMENSIONI		
S1	S2 60 min	S2 30 min	DIMENSION		
kW	kW	kW	L	h	H
9,2	-	-	365	107	197
11	11	11	365		197
11,8	12,5	13,2	380		212
12,5	13,2	-	395		227
13,2	-	-	415		247

m. 2.0 LUNGH. STANDARD CAVI ALIMENTAZIONE
STANDARD LEADS LENGTH