

4 Poles Three Phase 50 Hz Motors Type S7F4-U

Shaft Ø32 mm Flange Ø125 mm

Suitable for :

Moog Pump Type RKP-II Size 32/45

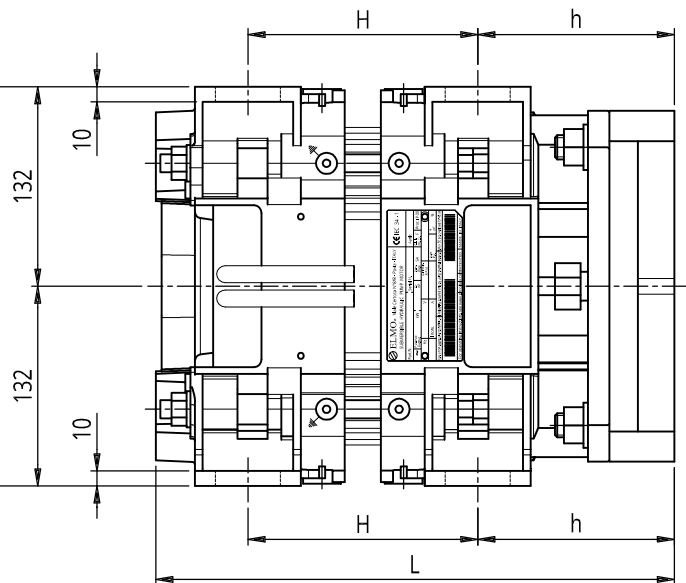
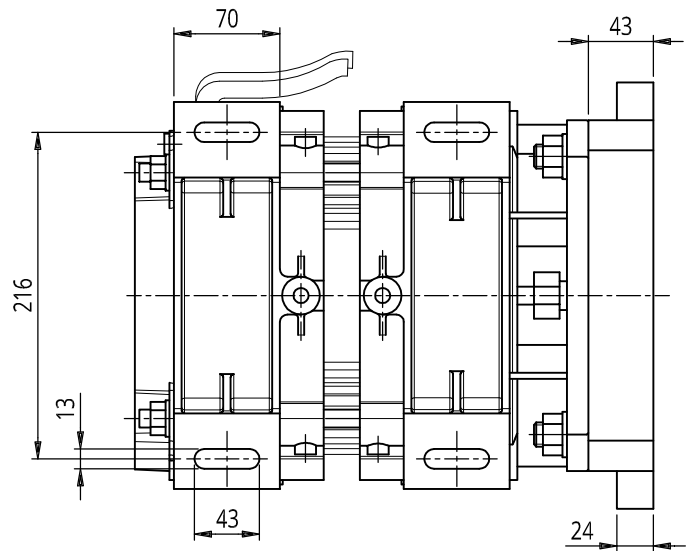
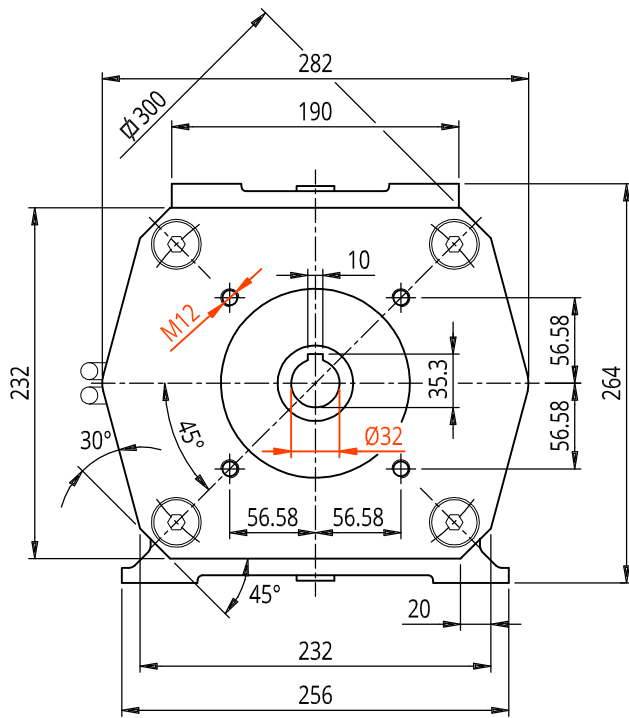
Parker Pump Series PV046
metric version

Eaton Pump Series PVM131/141

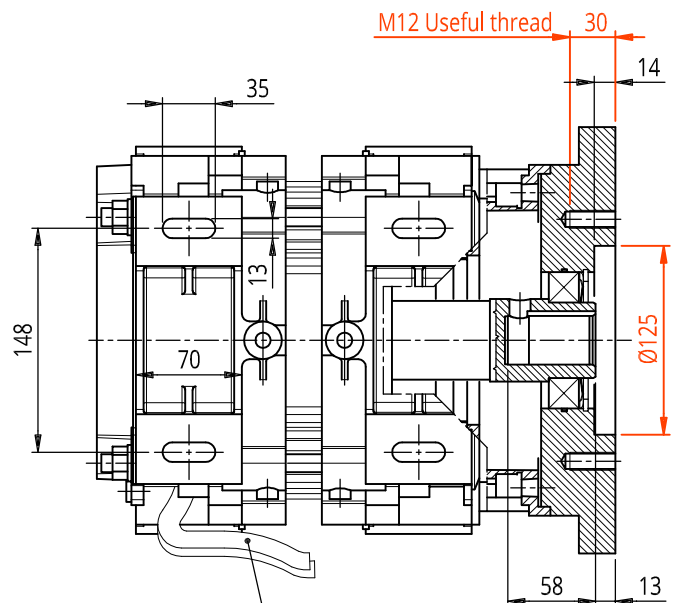
ISO 3019/2 metric version

Flange (4 bolt) Code = H

Shaft Code = 18



Duty Type			DIMENSIONI		
S1	S2 60 min	S2 30 min	DIMENSIONI		
kW	kW	kW	L	h	H
9,2	-	-	388	130	197
11	11	11	388		197
11,8	12,5	13,2	403		212
12,5	13,2	15	418		227
13,2	15	18,5	438		247
15	18,5	22	463		272
18,5	22	30	503		312
22	30	37	553		362
28	37	45	608		417
34	45	55	658		467



m. 2.0 LUNGH. STANDARD CAVI ALIMENTAZIONE
STANDARD LEADS LENGTH