



ELMO

V.le Certosa 8/B - 27100 Pavia Italy
 Tel. + 39 382 529564 - 422372
 Fax. + 39 382 527041
 E-Mail: info@elmoitaly.com

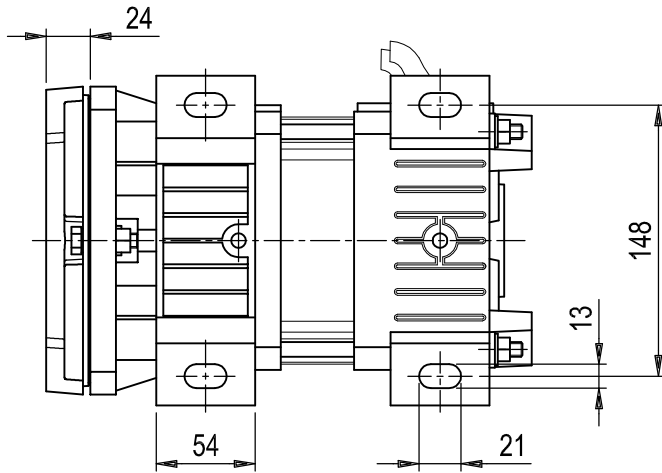
SUBMERSIBLE MOTORS

MOTORS 4 POLES

Female groove 5 mm Flange Ø32 mm

MOTORI MONOFASI SINGLE PHASE MOTORS EINPHASEENMOTOREN MOTEURS MONOPHASES

50 Hz
S3 N4 - T - NE - U
1904-11



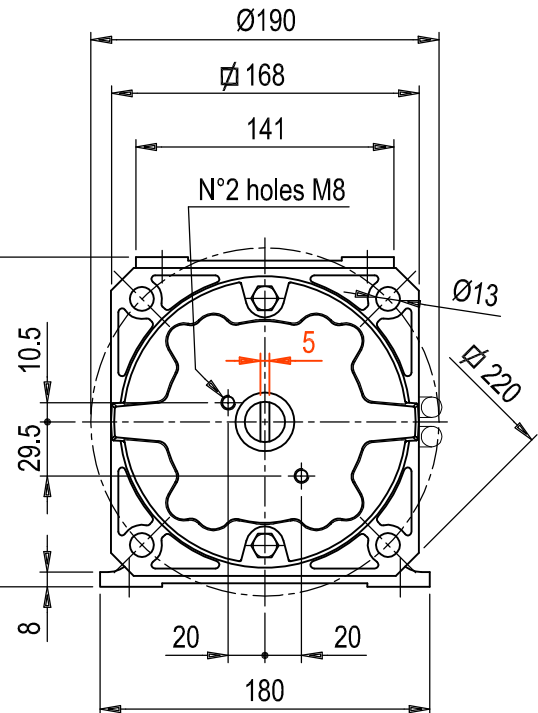
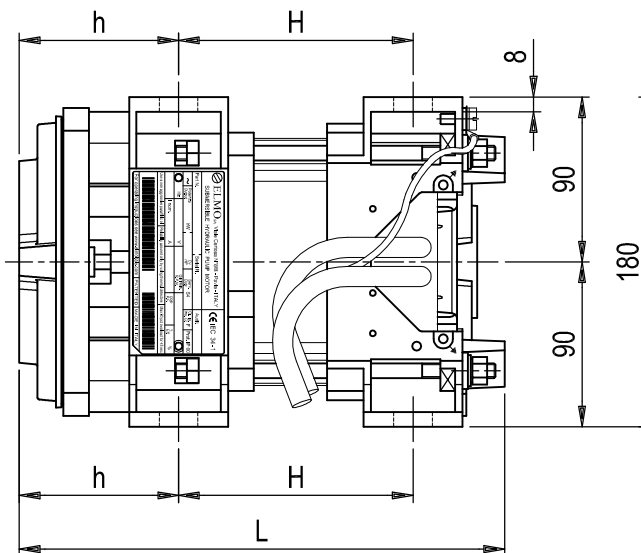
Suitable for Pump

Types F1L AGL54 and F1K AGL54

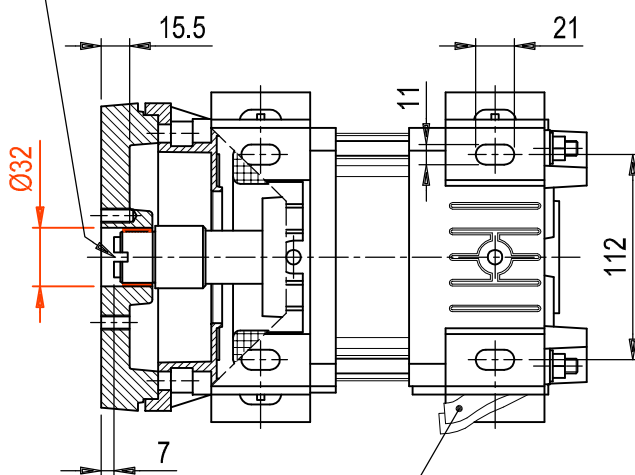
Gruppo 1

N.B. Motori a servizio S2 30 min

Duty motor S2 30 min



Depth groove = 7.5



m.1.40 LUNGH. STANDARD CAVI ALIMENTAZIONE
 STANDARD LEADS LENGTH

MOTORS WITHOUT FLYWHEEL

TIPO - TYPE	GRANDEZZA - ACCOPPIAM. SIZE - SUITABLE TO	POLARITÀ - POLES	SERIE - INTERNAL SERIES	kW	MONOFASE - SINGLE PHASE	TENSIONE VOLTAGE	50 Hz - CYCLES AT 50 Hz	ATTACCHI - FEET	TERMINALI - LEAD TERMINAL	TIPO FLANGIA - FLANGE TYPE	DIMENSIONI			POTENZA A 50 Hz NOMINAL OUTPUT AT 50 Hz	
											L	h	H		HP
S	3	N 4	-	7	M			NE		- U	279	87	143	- 1 -	
			-	12							294		158	- 1 6	
			-	15							309		173	- 2 -	
			-	18							309		173	- 2 5	
			-	22							324		188	- 3 -	
			-	26							339		203	- 3 5	
			-	29							354		218	- 4 -	
			-	37							374		238	- 5 -	