



ELMO

V.le Certosa 8/B - 27100 Pavia Italy
 Tel. + 39 382 529564 - 422372
 Fax. + 39 382 527041
 E-Mail: info@elmoitaly.com

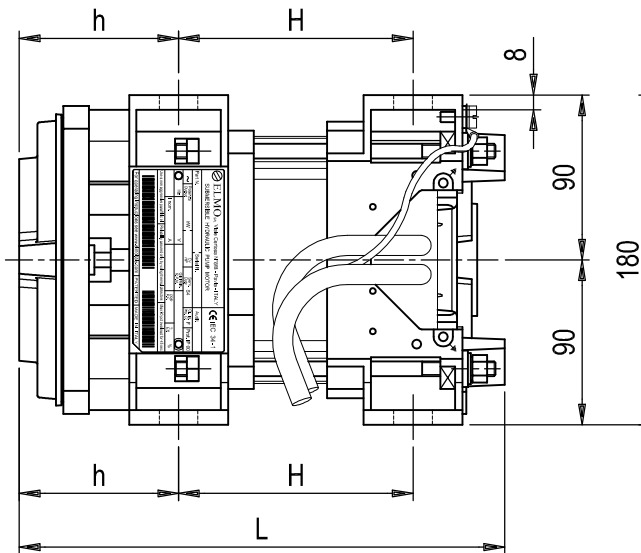
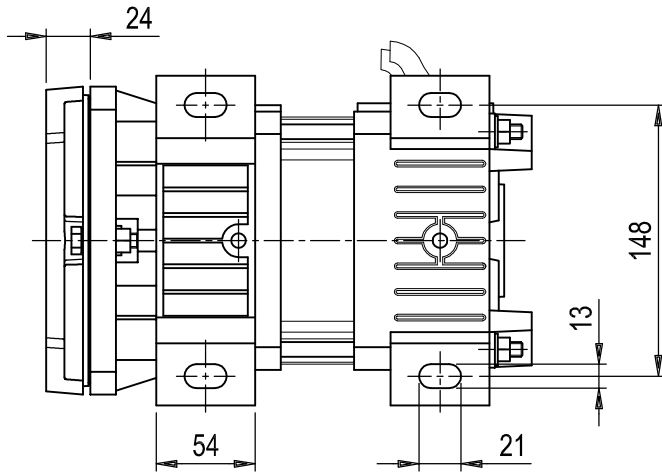
SUBMERSIBLE MOTORS

MOTORS 4 POLES FOR Marzocchi Pump

Female groove 5 mm Flange Ø30 mm

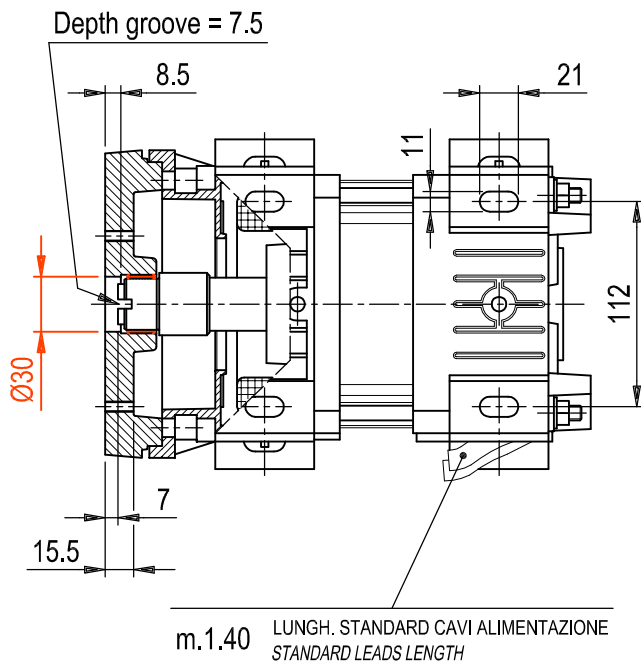
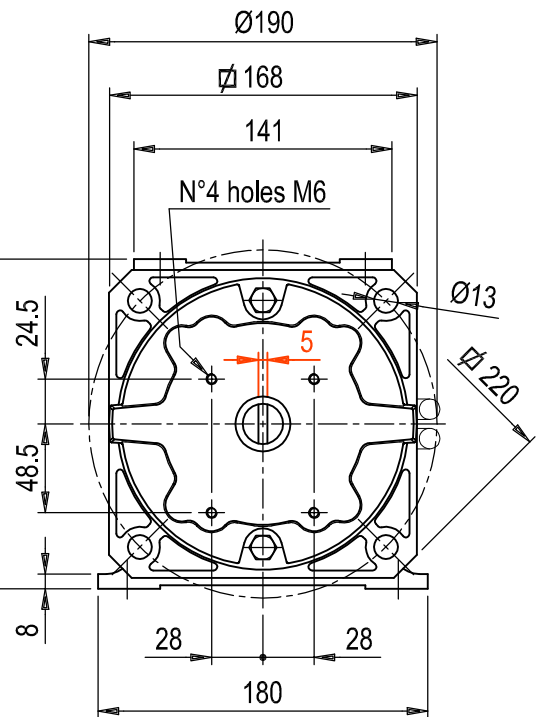
MOTORI MONOFASI SINGLE PHASE MOTORS EINPHASEENMOTOREN MOTEURS MONOPHASES

50 Hz
 S3D4 - M - NE - U
 1904-11



Suitable for Pump
 Type ALM1 European Flange (Ø30)
 Shaft = GO (External tooth, wrench = 5 mm)

N.B. Motori a servizio S2 30 min
 Duty motor S2 30 min



m.1.40 LUNGH. STANDARD CAVI ALIMENTAZIONE
 STANDARD LEADS LENGTH

MOTORS WITHOUT FLYWHEEL

TIPO - TYPE	GRANDEZZA - ACCOPIAM. SIZE - SUITABLE TO	POLARITÀ - POLES	SERIE - INTERNAL SERIES	kW	MONOFASE - SINGLE PHASE	TENSIONE VOLTAGE	50 Hz - CYCLES AT 50 Hz	ATTACCHI - FEET	TERMINALI - LEAD TERMINAL	TIPO FLANGIA - FLANGE TYPE	DIMENSIONI			POTENZA A 50 Hz NOMINAL OUTPUT AT 50 Hz
											L	h	H	
S	3	D	4	-	M			NE		-U	279	87	143	- 1 -
				-							294		158	- 1 6 -
				-							309		173	- 2 -
				-							309		173	- 2 5 -
				-							324		188	- 3 -
				-							339		203	- 3 5 -
				-							354		218	- 4 -
				-							374		238	- 5 -