

**ELMO** S.r.l.

V.le Certosa 8/B - 27100 Pavia Italy  
 Tel. + 39 382 529564 - 422372  
 Fax. + 39 382 527041  
 E-Mail: info@elmoitaly.com

MOTORI IMMERSI PER ASCENSORI IDRAULICI  
 SUBMERSIBLE MOTORS FOR HYDRAULIC LIFTS

UNTEROELMOTOREN FÜR HYDRAULISCHE AUFZUEGE

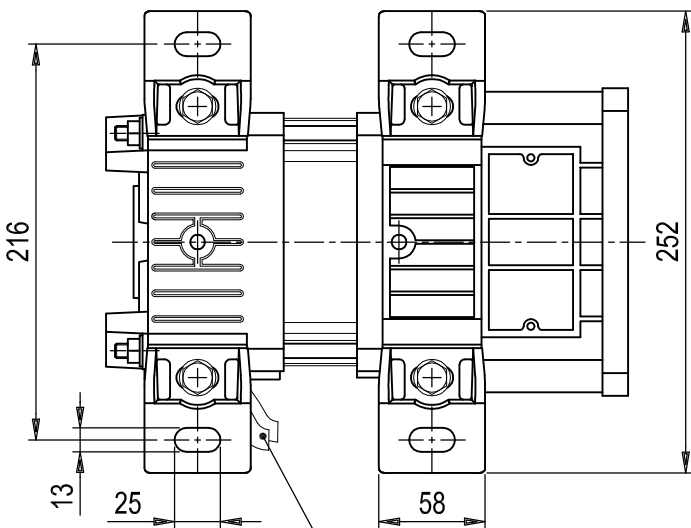
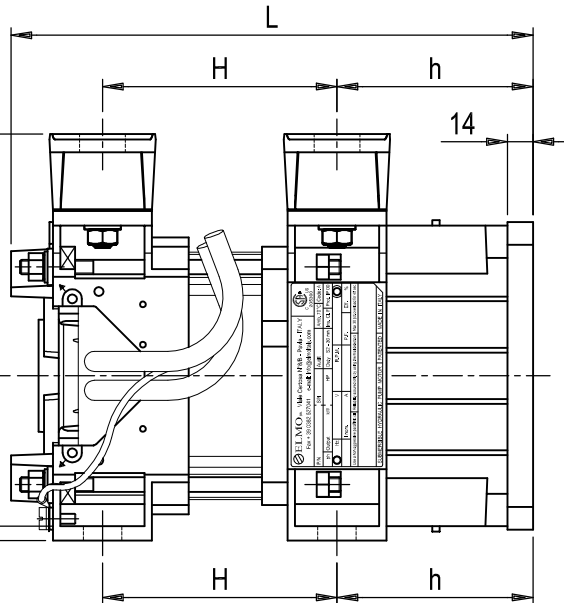
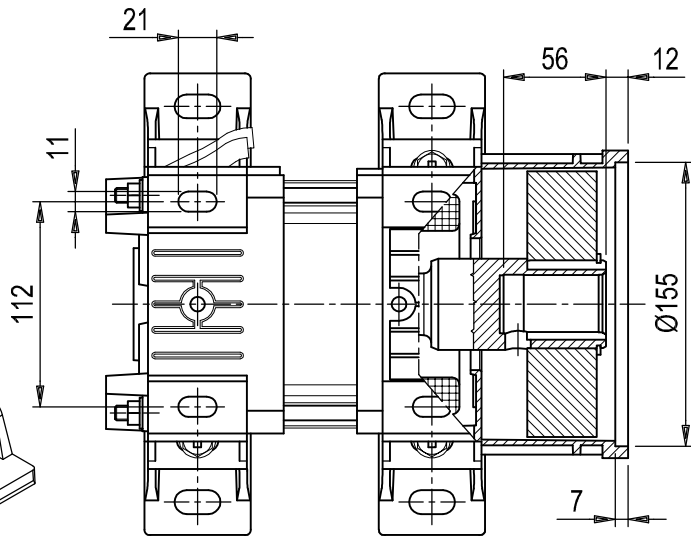
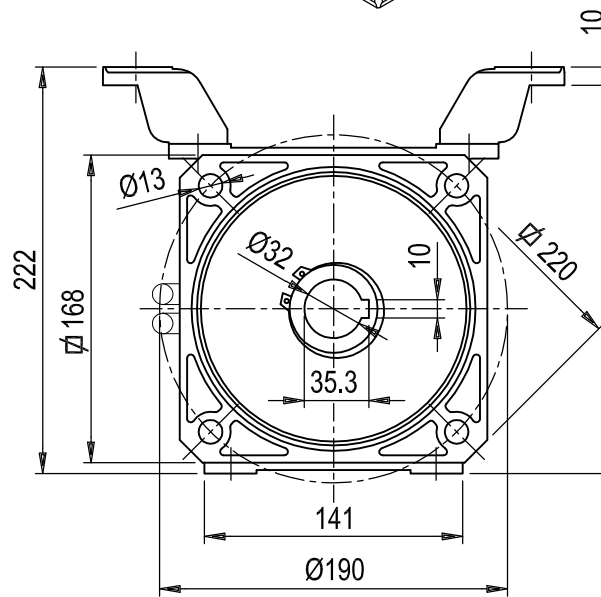
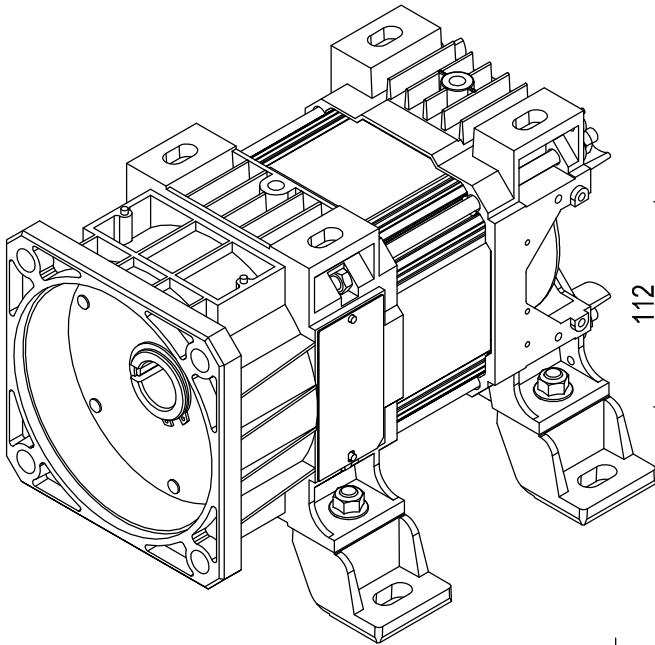
MOTEURS IMMERGÉS DANS L'HUILE POUR ASCENSEURS HYDRAULIQUES

MOTORI TRIFASI THREE PHASE MOTORS DREIPHASENMOTOREN MOTEURS TRIPHASES

60 Hz  
 V392---T-S8-  
 09/10-28

IN ANY MOMENT AND WITHOUT NOTICE ELMO CAN CHANGE MANUFACTURING PROCESS, PERFORMANCE FEATURES.

LA ELMO S.r.l. SI RISERVA IL DIRITTO DI APPORTARE QUALSIASI VARIAZIONE SENZA ALCUN PREAVVISO.

**MOTORS COMPLETE WITH FLYWHEEL**

TIPO - TYPE	GRANDEZZA - ACCOPIAM. SIZE - SUITABLE TO	POLARITA' - POLES SERIE - INTERNAL SERIES	POTENZA A 60 Hz NOMINAL OUTPUT AT 60 Hz	TRIFASE - THREE PHASE	TENSIONE VOLTAGE	60 Hz - CYCLES AT 60 Hz	ATTACCHI - FEET TERMINALI - LEAD TERMINAL	DIMENSIONI DIMENSION		POTENZA A 60 Hz NOMINAL OUTPUT AT 60 Hz
V	3 9	2	kW	T	V	S 8	L	h	H	HP
			1 1 -				359	107	203	1 5 -
			1 3 2				374		218	1 8 -
			1 5 -				394		238	2 0 -

m.1.40 LUNGH. STANDARD CAVI ALIMENTAZIONE  
 STANDARD LEADS LENGTH