

**ELMO** S.r.l.

V.le Certosa 8/B - 27100 Pavia Italy
 Tel. + 39 382 529564 - 422372
 Fax. + 39 382 527041
 E-Mail: info@elmoitaly.com

MOTORI IMMERSI PER ASCENSORI IDRAULICI
 SUBMERSIBLE MOTORS FOR HYDRAULIC LIFTS

UNTEROELMOTOREN FÜR HYDRAULISCHE AUFZÜGE

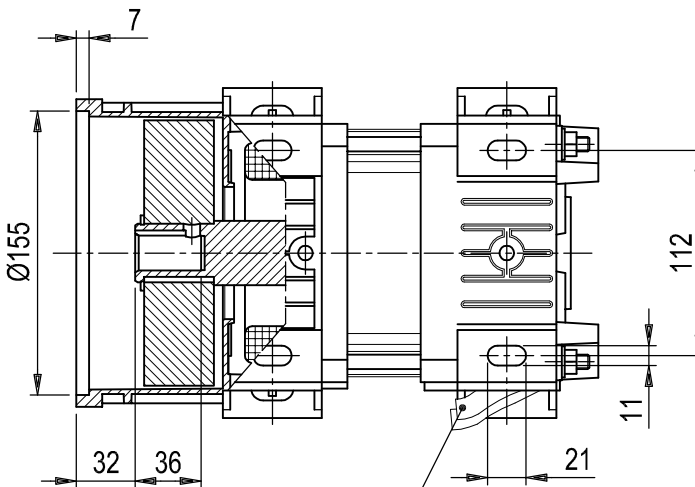
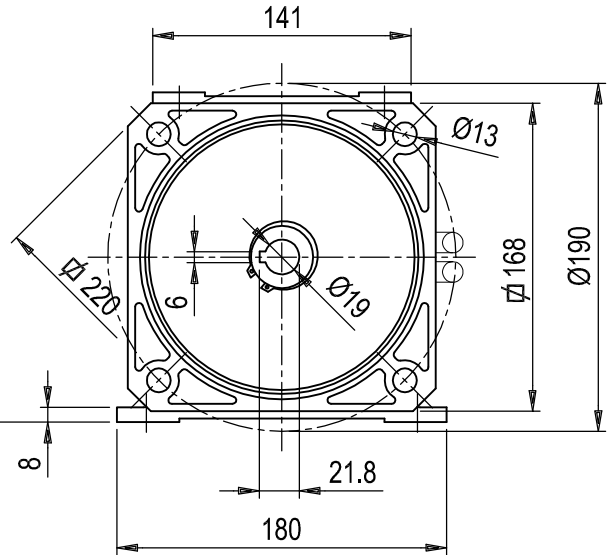
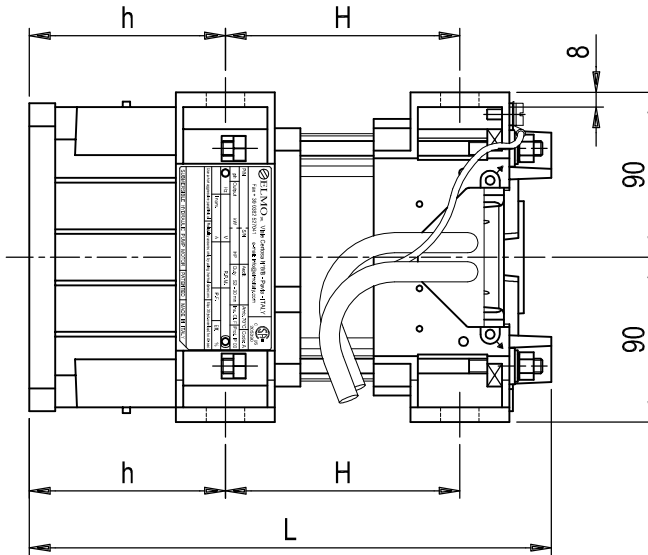
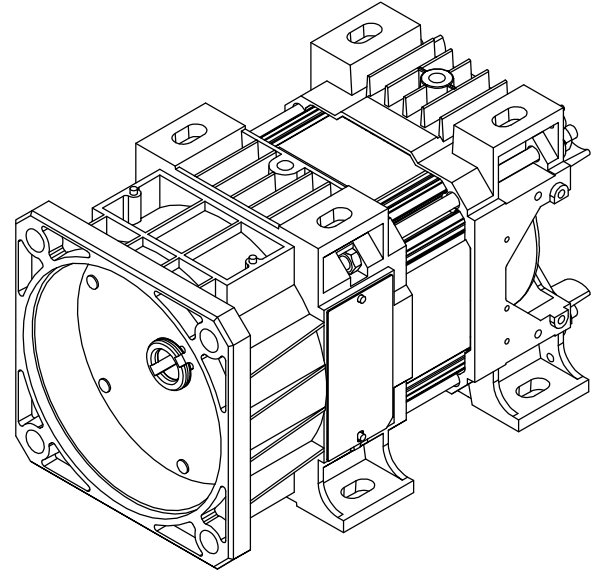
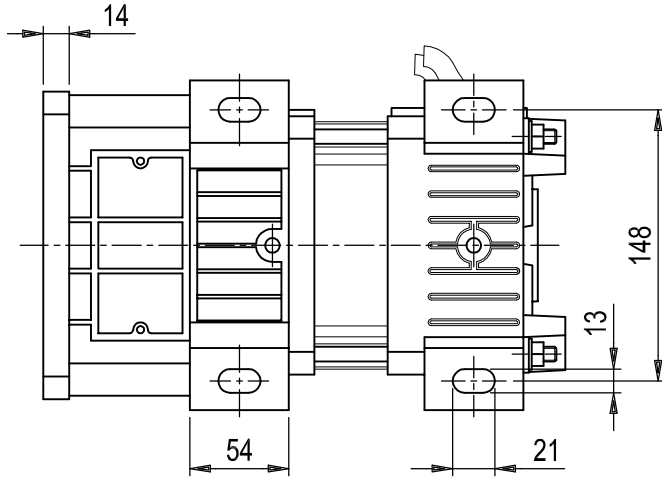
MOTEURS IMMERGÉS DANS L'HUILE POUR ASCENSEURS HYDRAULIQUES

MOTORI TRIFASI THREE PHASE MOTORS DREIPHASEENMOTOREN MOTEURS TRIPHASES

60 Hz
 V342--T-SE-
 0905-11

IN ANY MOMENT AND WITHOUT NOTICE ELMO CAN CHANGE MANUFACTURING PROCESS, PERFORMANCE FEATURES.

LA ELMO S.r.l. SI RISERVA IL DIRITTO DI APPORTARE QUALSIASI VARIAZIONE SENZA ALCUN PREAVVISO.



m.1.40 LUNGH. STANDARD CAVI ALIMENTAZIONE
 STANDARD LEADS LENGTH

MOTORS COMPLETE WITH FLYWHEEL

| TIPO - TYPE | GRANDEZZA - ACCOPIAM. SIZE - SUITABLE TO | POLARITÀ - POLES | SERIE - INTERNAL SERIES | KW | POTENZA A 60 Hz NOMINAL OUTPUT AT 60 Hz | TRIFASE - THREE PHASE | TENSIONE VOLTAGE | 60 Hz - CYCLES AT 60 Hz | ATTACCHI - FEET | TERMINALI - LEAD TERMINAL | DIMENSIONI | | | POTENZA A 60 Hz NOMINAL OUTPUT AT 60 Hz |
|-------------|---|------------------|-------------------------|-----|--|-----------------------|---------------------|-------------------------|-----------------|---------------------------|------------|-----|-----|--|
| | | | | | | | | | | | L | h | H | |
| V | 3 | 4 | 2 | - 2 | 2 | T | | | S | E | 284 | 107 | 128 | - 3 - |
| | | | | - 3 | 6 | | | | | | 299 | | 143 | - 5 - |
| | | | | - 5 | 3 | | | | | | 314 | | 158 | - 7 2 |
| | | | | - 7 | 3 | | | | | | 329 | | 173 | 1 0 - |
| | | | | - 9 | 2 | | | | | | 344 | | 188 | 1 2 5 |
| | | | | 1 | 1 - | | | | | | 359 | | 203 | 1 5 - |
| | | | | 1 | 3 2 | | | | | | 374 | | 218 | 1 8 - |
| | | | | 1 | 5 - | | | | | | 394 | | 238 | 2 0 - |