



ELMO S.r.l.

V.le Certosa 8/B - 27100 Pavia Italy
 Tel. + 39 382 529564 - 422372
 Fax. + 39 382 527041
 E-Mail: info@elmoitaly.com

MOTORI IMMERSI PER ASCENSORI IDRAULICI
 SUBMERSIBLE MOTORS FOR HYDRAULIC LIFTS

UNTEROELMOTOREN FÜR HYDRAULISCHE AUFZUEGE

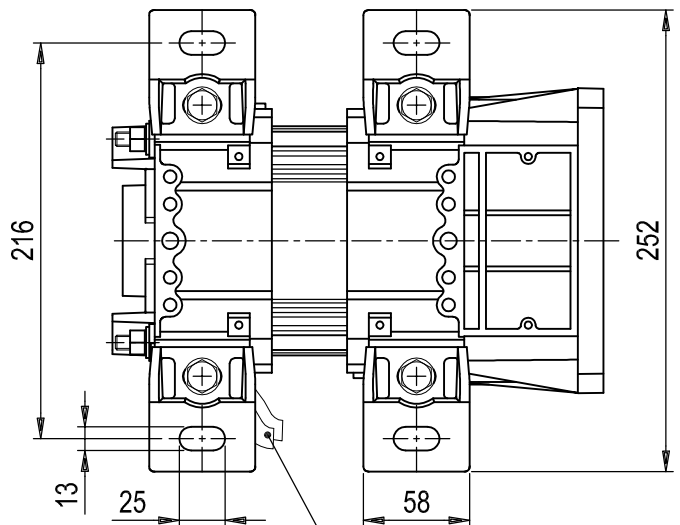
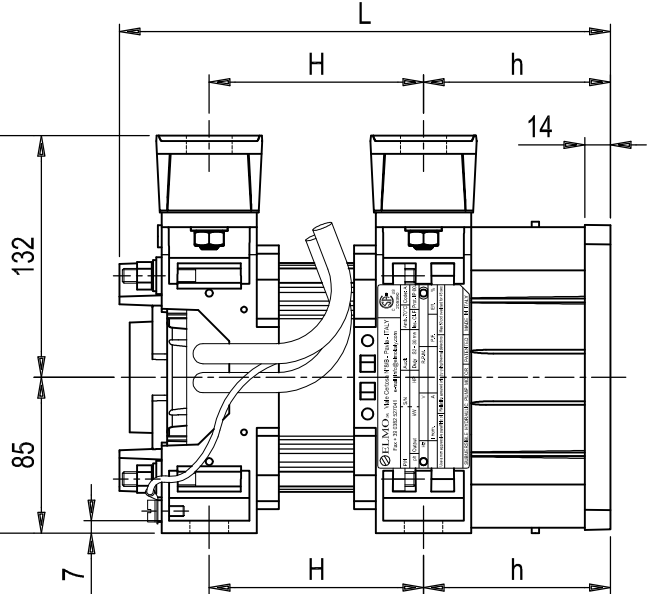
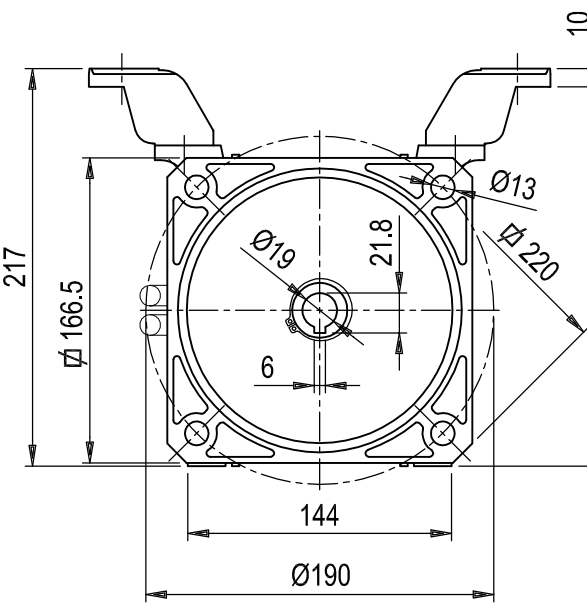
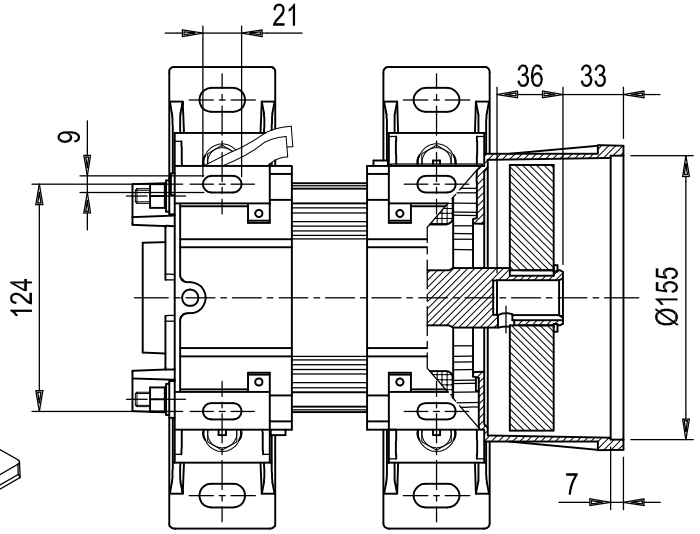
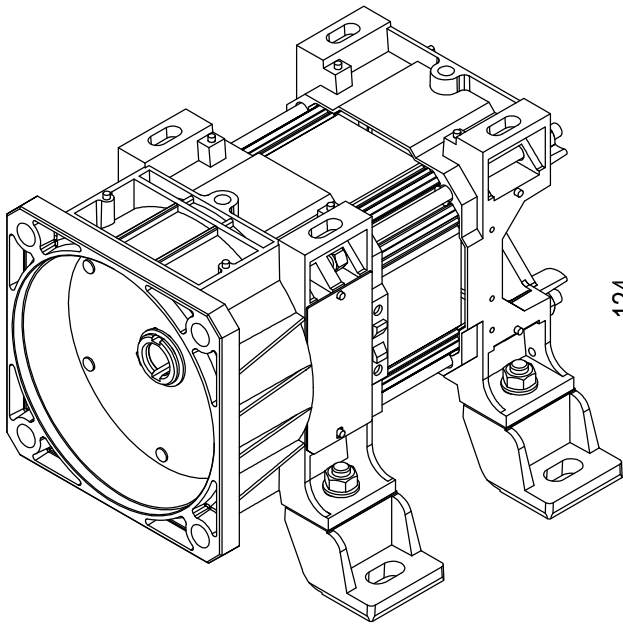
MOTEURS IMMERGÉS DANS L'HUILE POUR ASCENSEURS HYDRAULIQUES

MOTORI TRIFASI THREE PHASE MOTORS DREIPHASEENMOTOREN MOTEURS TRIPHASES

50 Hz
 V142--T-N8-
 2211-15

IN ANY MOMENT AND WITHOUT NOTICE ELMO CAN CHANGE MANUFACTURING PROCESS, PERFORMANCE FEATURES.

LA ELMO S.r.l. SI RISERVA IL DIRITTO DI APPORTARE QUALSIASI VARIAZIONE SENZA ALCUN PREAVVISO.



MOTORS COMPLETE WITH FLYWHEEL

TIPO - TYPE	GRANDEZZA - ACCOPIAM. SIZE - SUITABLE TO	POLARITA' - POLES SERIE - INTERNAL SERIES	POTENZA A 50 Hz NOMINAL OUTPUT AT 50 Hz	TRIFASE - THREE PHASE	TENSIONE VOLTAGE	50 Hz - CYCLES AT 50 Hz	ATTACCHI - FEET TERMINALI - LEAD TERMINAL	DIMENSIONI DIMENSION	POTENZA A 50 Hz NOMINAL OUTPUT AT 50 Hz
V	1 4	2	kW	T	V	N 8	L h H HP		
			4.4				313 102 162 - 6 -		
			6				328 177 - 8 -		
			7.7				343 192 1 0 5		

m.1.40 LUNGH. STANDARD CAVI ALIMENTAZIONE
 STANDARD LEADS LENGTH