



ELMO

V.le Certosa 8/B - 27100 Pavia Italy
 Tel. + 39 382 529564 - 422372
 Fax. + 39 382 527041
 E-Mail: info@elmoitaly.com

MOTORI IMMERSI PER ASCENSORI IDRAULICI
 SUBMERSIBLE MOTORS FOR HYDRAULIC LIFTS

UNTEROELMOTOREN FUER HYDRAULISCHE AUFZUEGE

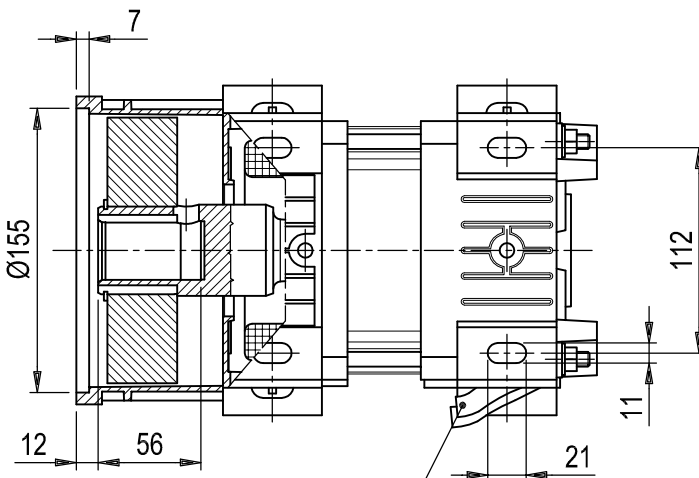
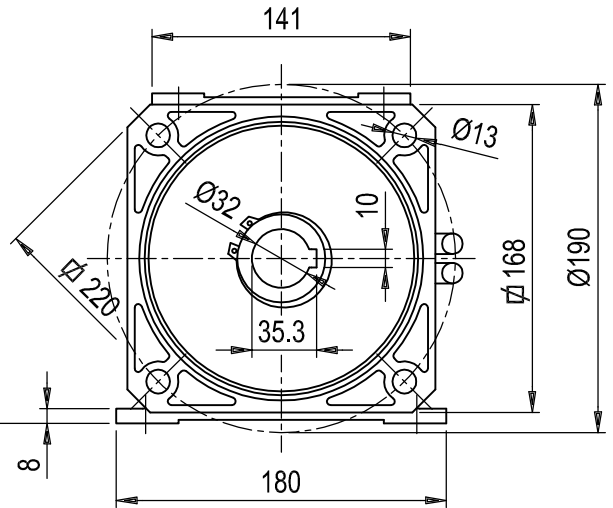
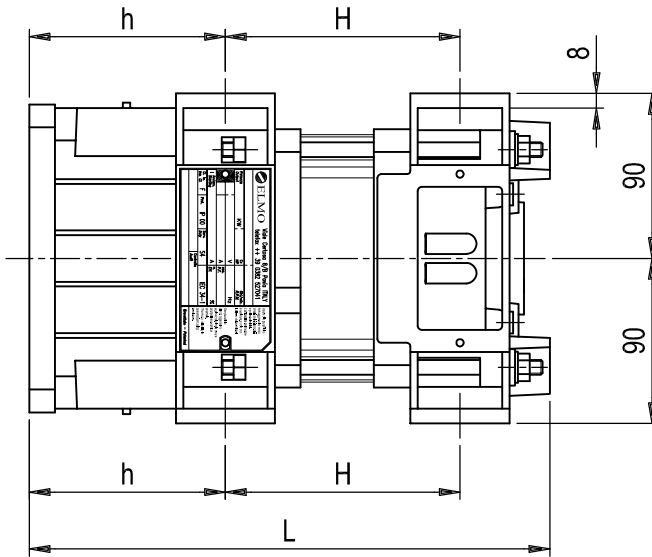
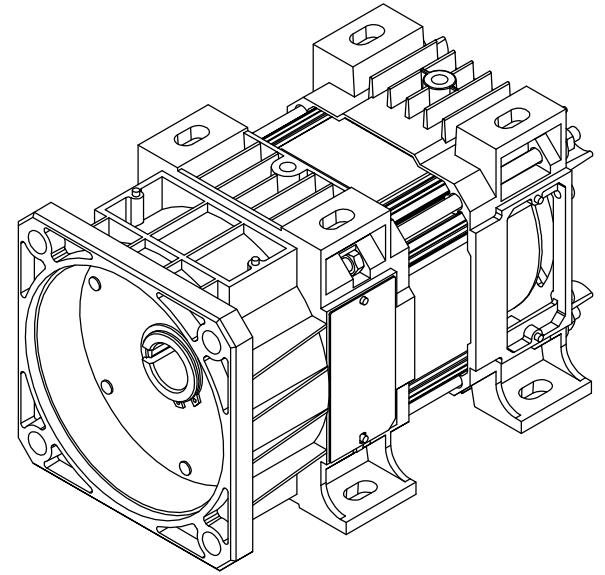
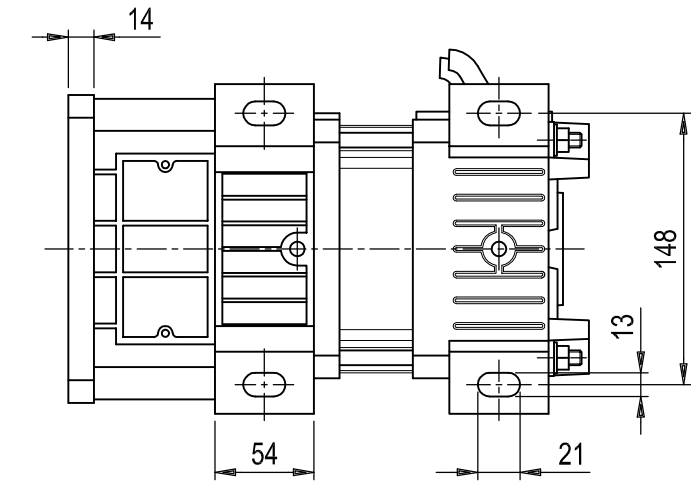
MOTEURS IMMERGES DANS L'HUILE POUR ASCENSEURS HIDRAULIQUES

MOTORI TRIFASI THREE PHASE MOTORS DREIPHASEENMOTOREN MOTEURS TRIPHASES

50 Hz
 V392 - - T - ME -
 0910-26

IN ANY MOMENT AND WITHOUT NOTICE ELMO CAN CHANGE MANUFACTURING PROCESS, PERFORMANCE FEATURES.

LA ELMO S.r.l. SI RISERVA IL DIRITTO DI APPORTARE QUALSIASI VARIAZIONE SENZA ALCUN PRAEAVVISO.



m.1.40 LUNGH. STANDARD CAVI ALIMENTAZIONE
 STANDARD LEADS LENGTH

MOTORS COMPLETE WITH FLYWHEEL

| TIPO - TYPE | GRANDEZZA - ACCOPPIAM. SIZE - SUITABLE TO | POLARITA' - POLES | SERIE - INTERNAL SERIES | POTENZA A 50 Hz NOMINAL OUTPUT AT 50 Hz | TRIFASE - THREE PHASE | VOLTAGGIO VOLTAGE | ATTACCHI - FEET | TERMINALI - LEAD TERMINAL | DIMENSIONI DIMENSION | | POTENZA A 50 Hz NOMINAL OUTPUT AT 50 Hz | |
|-------------|--|-------------------|-------------------------|--|-----------------------|----------------------|-----------------|---------------------------|-------------------------|-----|--|-------|
| V | 3 | 9 | 2 | KW | T | V | N | E | L | h | H | HP |
| | | | | 0.9 | 5 | | | | 359 | 107 | 203 | 1 3 - |
| | | | | 1.1 | 5 | | | | 374 | | 218 | 1 5 - |
| | | | | 1.2 | 5 | | | | 394 | | 238 | 1 6 - |
| | | | | 1.3 | 5 | | | | 394 | | 238 | 1 7 5 |