

Suitable to be coupled screw pumps having shaft  $\varnothing 32$  mm and flange  $\varnothing 111.1$  mm

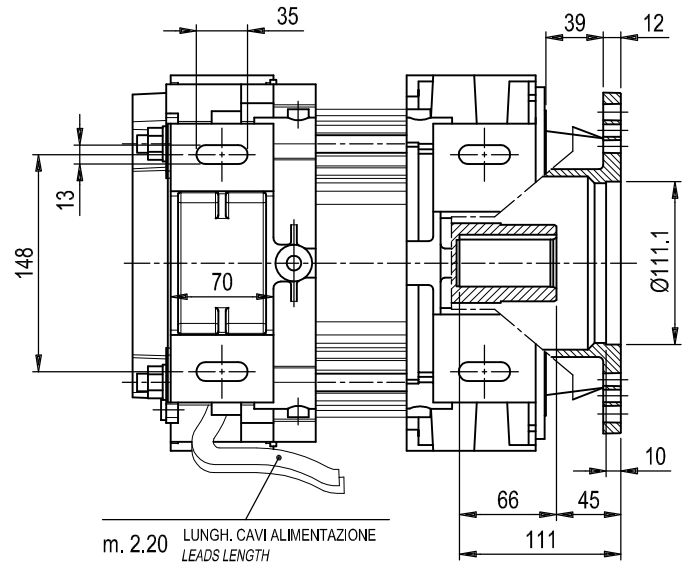
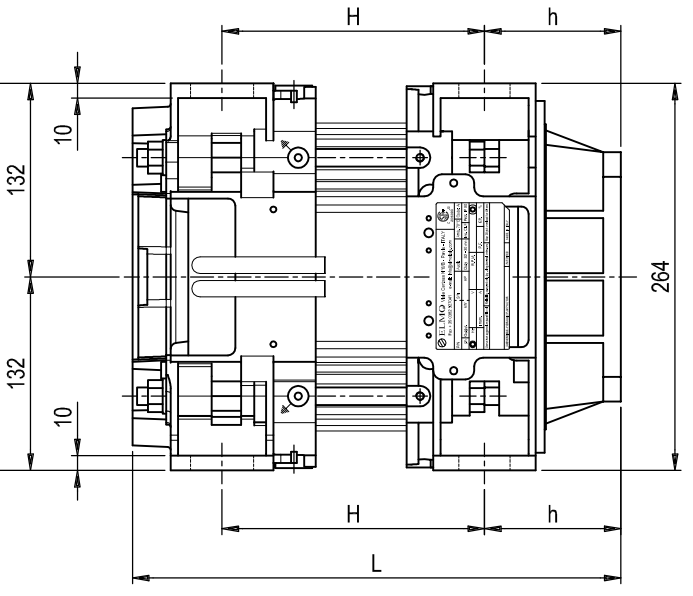
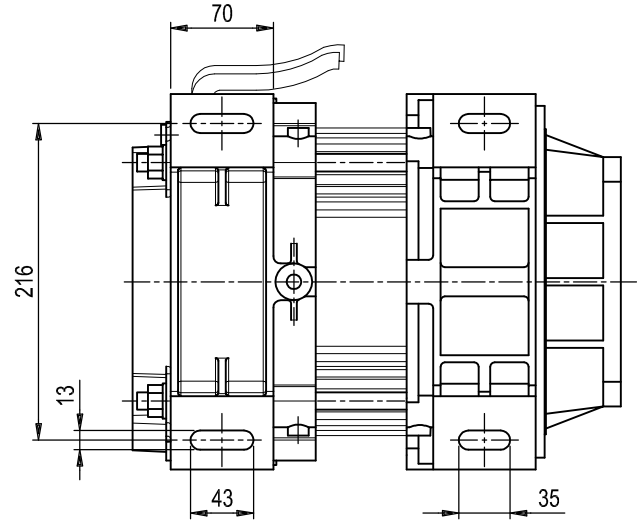
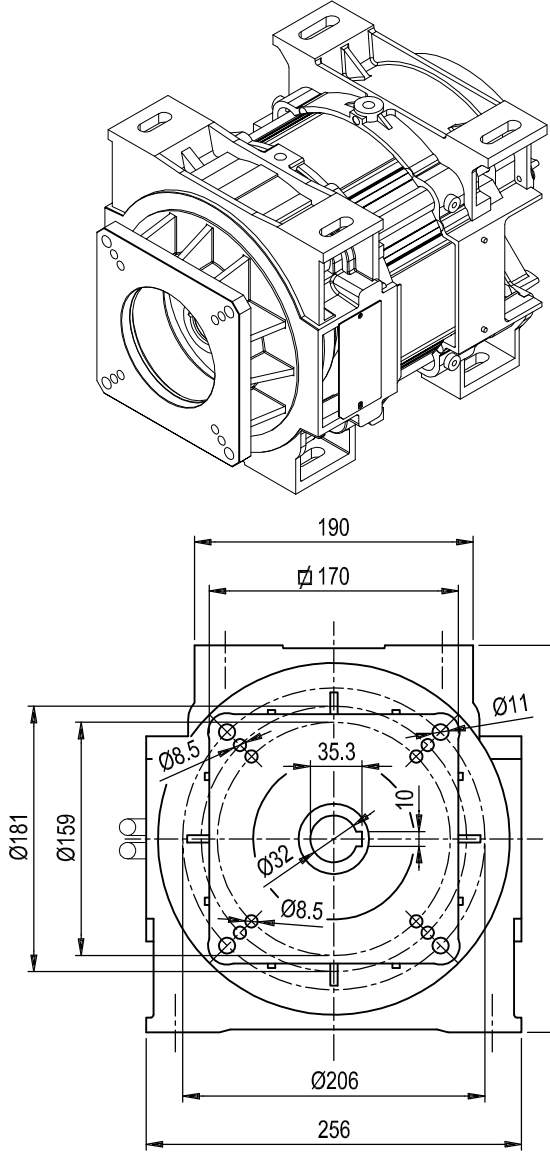
LA ELMO S.r.l. SI RISERVA IL DIRITTO DI APPORTARE QUALSIASI VARIAZIONE SENZA ALCUN PREAVVISO. IN ANY MOMENT AND WITHOUT NOTICE ELMO CAN CHANGE MANUFACTURING PROCESS, PERFORMANCE FEATURES.

 **ELMO**  
 V.le Certosa 8/B - 27100 Pavia Italy  
 Tel. ++39 382 529564 - 422372  
 Fax. ++39 382 527041  
 E-Mail: info@elmoitaly.com

MOTORI IMMERSI PER ASCENSORI IDRAULICI  
 SUBMERSIBLE MOTORS FOR HYDRAULIC LIFTS  
 UNTEROELMOTOREN FUER HYDRAULISCHE AUFZUEGE  
 MOTEURS IMMERGES DANS L'HUILE POUR ASCENSEURS HIDRAULIQUES  
 MOTORI TRIFASI THREE PHASE MOTORS DREIPHASEENMOTOREN MOTEURS TRIPHASES



60 Hz  
 24TS-U-YS7-  
 1505-12



**MOTORS WITHOUT FLYWHEEL**

GRANDEZZA - SIZE		POTENZA A 60 Hz NOMINAL OUTPUT AT 60 Hz		OMOLOGAZ. TIPO - TYPE APPROVAL		TENSIONE VOLTAGE		SERIE CAVI - CABLE LENGTH		ACCOPPIAMENTO - SUITABLE TO		DIMENSIONI D'INGOMBRO OVERALL DIMENSION		POTENZA A 60 Hz NOMINAL OUTPUT AT 60 Hz			
POLARITA' - POLARITY	ALIMENTAZ. - POWER SUPPLY	kW		U		V		SENZA VOLANO - WITHOUT FLYWHEEL		PIEDI FISSAGGIO - FIXING FEET		L	h	H	HP		
FREQUENZA - FREQUENCY		1	1.5	2	2.2	2	2.6	3	4	5	Y	S	7	F	93	211	20
T	S	1	1.5	2	2.2	2	2.6	3	4	5	Y	S	7	F	93	211	20
		1	1.8	2	2.6	2	2.6	3	4	5				F	380	226	25
		2	2.0	2	2.6	2	2.6	3	4	5			D	400	246	30	
		2	2.0	2	2.6	2	2.6	3	4	5			C	425	271	35	
		3	2.7	3	3.7	3	3.7	4	5	6			B	465	311	50	
		4	3.0	4	4.0	4	4.0	5	6	7			A	515	361	60	
		5	4.0	5	4.0	5	4.0	6	7	8			X	570	416	73	

m. 2.20 LUNGH. CAVI ALIMENTAZIONE  
 LEADS LENGTH