

Suitable to be coupled screw pumps having shaft  $\varnothing 32$  mm and flange  $\varnothing 111.1$  mm

LA ELMO S.r.l. SI RISERVA IL DIRITTO DI APPORTARE QUALSIASI VARIAZIONE SENZA ALCUN PREAVVISO. IN ANY MOMENT AND WITHOUT NOTICE ELMO CAN CHANGE MANUFACTURING PROCESS, PERFORMANCE FEATURES.



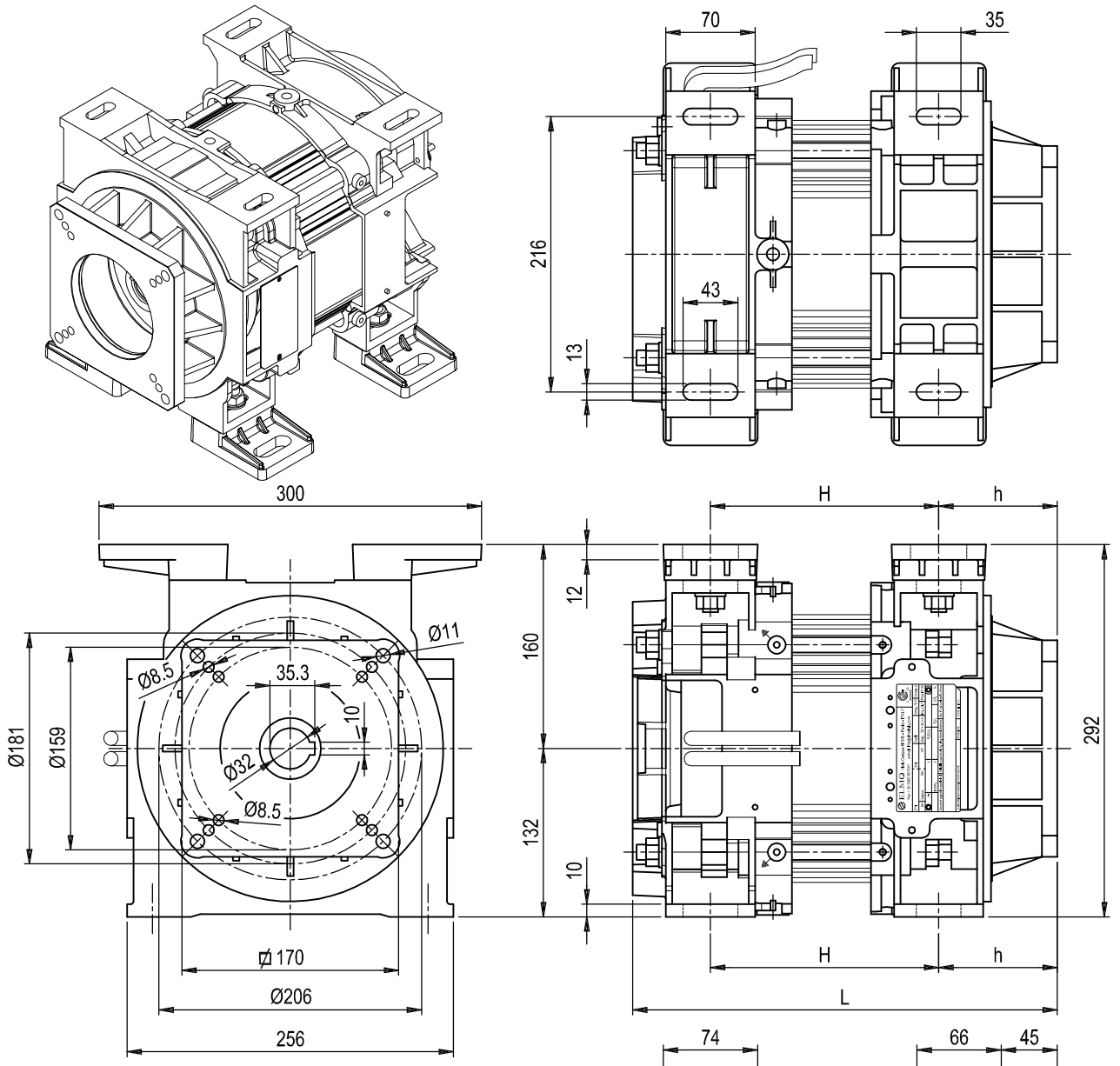
**ELMO**  
 V.le Certosa 8/B - 27100 Pavia Italy  
 Tel. ++39 382 529564 - 422372  
 Fax. ++39 382 527041  
 E-Mail: info@elmoitaly.com

MOTORI IMMERSI PER ASCENSORI IDRAULICI  
 SUBMERSIBLE MOTORS FOR HYDRAULIC LIFTS  
 UNTEROELMOTOREN FUER HYDRAULISCHE AUFZUEGE  
 MOTEURS IMMERGES DANS L'HUILE POUR ASCENSEURS HIDRAULIQUES



**60 Hz**  
 24TS-U-YS8-  
 1505-12

MOTORI TRIFASI THREE PHASE MOTORS DREIPHASEENMOTOREN MOTEURS TRIPHASES



**MOTORS WITHOUT FLYWHEEL**

| GRANDEZZA - SIZE |   | POLARITA' - POLARITY |   | ALIMENTAZ. - POWER SUPPLY |     | FREQUENZA - FREQUENCY |   | POTENZA A 60 Hz<br>NOMINAL OUTPUT AT 60 Hz |   | OMOLOGAZ. TIPO - TYPE APPROVAL |   | TENSIONE<br>VOLTAGE |   | SERIE CAVI - CABLE LENGTH |   | ACCOPPIAMENTO - SUITABLE TO |   | SENZA VOLANO - WITHOUT FLYWHEEL |   | PIEDI FISSAGGIO - FIXING FEET |   | ALTRE QUOTE - OTHER DIMENS. |    | DIMENSIONI D'INGOMBRO<br>OVERALL DIMENSION |    | POTENZA A 60 Hz<br>NOMINAL OUTPUT AT 60 Hz |  |  |
|------------------|---|----------------------|---|---------------------------|-----|-----------------------|---|--|---|--------------------------------|---|---------------------|---|---------------------------|---|-----------------------------|---|---------------------------------|---|-------------------------------|---|-----------------------------|----|--|----|--|--|--|
| 2                | 4 | T                    | S | 1                         | 1.5 | 2                     | 3 | 2  | 3 | U                              | V | Y                   | S | 8                         | F | F                           | D | C                               | B | A                             | X | L                           | h  | H  | HP |  |  |  |
|                  |   |                      |   | 1                         | 1.5 | 2                     | 3 | 2  | 3 |                                |   |                     |   |                           |   |                             |   |                                 |   |                               |   | 365                         | 93 | 211  | 20 | -  |  |  |
|                  |   |                      |   | 1                         | 1.8 | 2                     | 3 | 2  | 3 |                                |   |                     |   |                           |   |                             |   |                                 |   |                               |   | 380                         | 93 | 226  | 25 | -  |  |  |
|                  |   |                      |   | 2                         | 2   | 2                     | 3 | 2  | 3 |                                |   |                     |   |                           |   |                             |   |                                 |   |                               |   | 400                         | 93 | 246  | 30 | -  |  |  |
|                  |   |                      |   | 2                         | 2.6 | 2                     | 3 | 2  | 3 |                                |   |                     |   |                           |   |                             |   |                                 |   |                               |   | 425                         | 93 | 271  | 35 | -  |  |  |
|                  |   |                      |   | 3                         | 3   | 2                     | 3 | 2  | 3 |                                |   |                     |   |                           |   |                             |   |                                 |   |                               |   | 465                         | 93 | 311  | 50 | -  |  |  |
|                  |   |                      |   | 4                         | 4   | 2                     | 3 | 2  | 3 |                                |   |                     |   |                           |   |                             |   |                                 |   |                               |   | 515                         | 93 | 361  | 60 | -  |  |  |
|                  |   |                      |   | 5                         | 5   | 2                     | 3 | 2  | 3 |                                |   |                     |   |                           |   |                             |   |                                 |   |                               |   | 570                         | 93 | 416  | 73 | -  |  |  |

m. 2.20 LUNGH. CAVI ALIMENTAZIONE  
 LEADS LENGTH