

Suitable to be coupled special screw pumps shaft $\varnothing 38$ mm and flange $\varnothing 220$ mm having flow rate = 1200 or 1400 Liters

LA ELMO S.r.l. SI RISERVA IL DIRITTO DI APPORTARE QUALSIASI VARIAZIONE SENZA ALCUN PREAVVISO.

IN ANY MOMENT AND WITHOUT NOTICE ELMO CAN CHANGE MANUFACTURING PROCESS, PERFORMANCE FEATURES.



ELMO

V.le Certosa 8/B - 27100 Pavia Italy
 Tel. ++39 382 529564 - 422372
 Fax. ++39 382 527041
 E-Mail: info@elmoitaly.com

MOTORI IMMERSI PER ASCENSORI IDRAULICI
 SUBMERSIBLE MOTORS FOR HYDRAULIC LIFTS

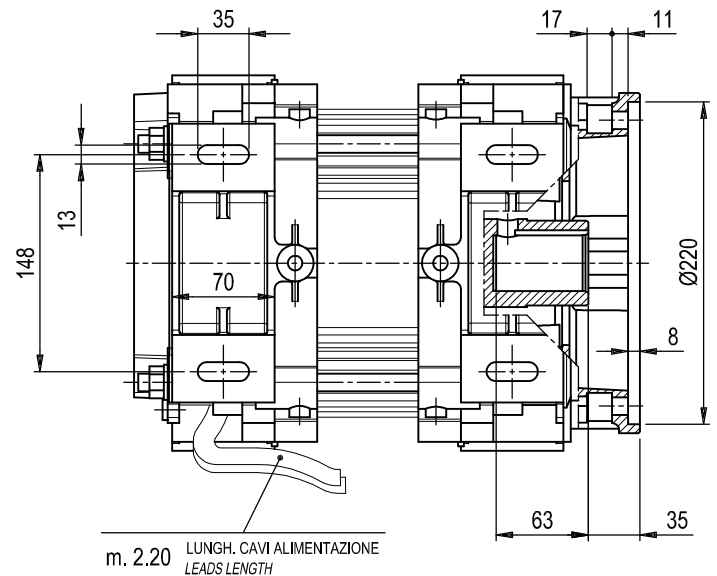
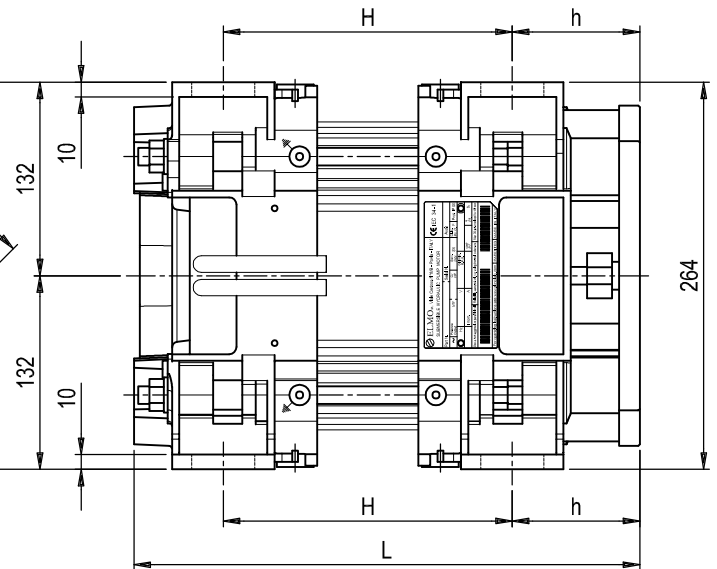
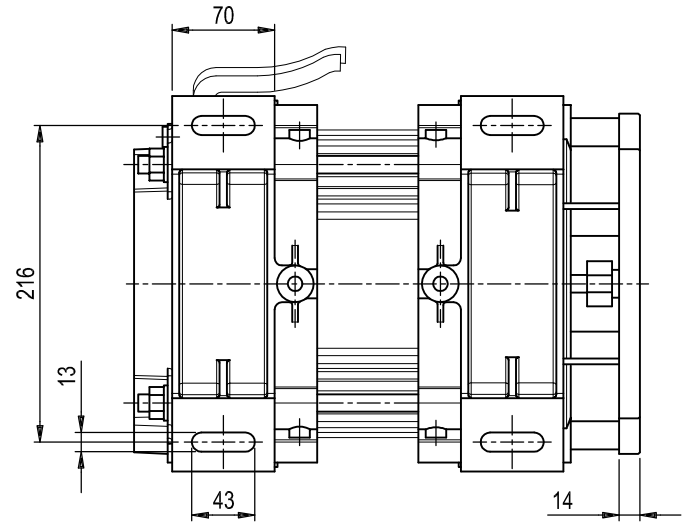
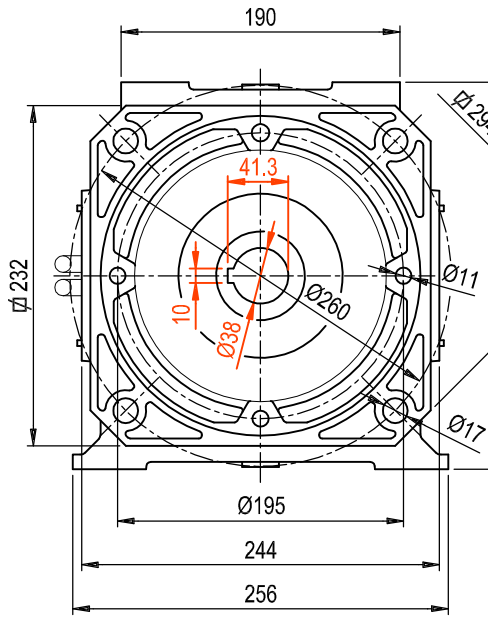
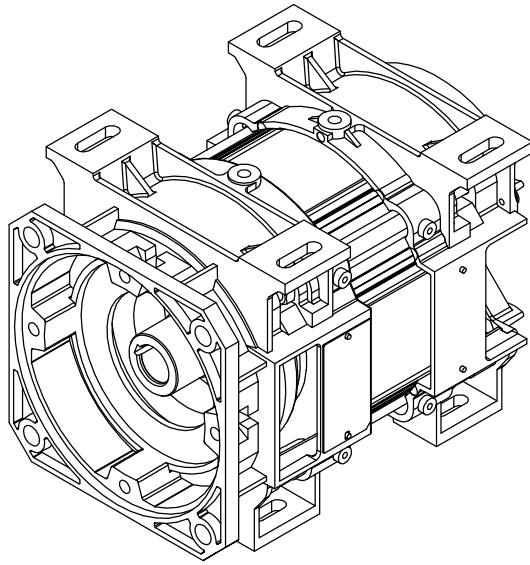
UNTEROELMOTOREN FUER HYDRAULISCHE AUFZUEGE

MOTEURS IMMERGES DANS L'HUILE POUR ASCENSEURS HIDRAULIQUES

MOTORI TRIFASI THREE PHASE MOTORS DREIPHASEENMOTOREN MOTEURS TRIPHASES



60 Hz
 24TS-U-ZS7-
 1505-12



m. 2.20 LUNGH. CAVI ALIMENTAZIONE
 LEADS LENGTH

MOTORS WITHOUT FLYWHEEL

GRANDEZZA - SIZE		POTENZA A 60 Hz NOMINAL OUTPUT AT 60 Hz		TENSIONE VOLTAGE		SERIE CAVI - CABLE LENGTH		DIMENSIONI D'INGOMBRO OVERALL DIMENSION		POTENZA A 60 Hz NOMINAL OUTPUT AT 60 Hz		
COD. BASE - BASIC P/N	POLARITÀ - POLARITY	ALIMENTAZ. - POWER SUPPLY	FREQUENZA - FREQUENCY	OMOLOGAZ. TIPO - TYPE APPROVAL	V	ACCOPPIAMENTO - SUITABLE TO	PIEDI FISSAGGIO - FIXING FEET	ALTR. QUOTE - OTHER DIMENS.	L	h	H	HP
2	4	T	S	U		SENZA VOLANO - WITHOUT FLYWHEEL	Z S 7	F	360	87	212	2 0 -
								F	375		227	2 5 -
								D	395		247	3 0 -
								C	420		272	3 5 -
								B	460		312	5 0 -
								A	510		362	6 0 -
								X	565		417	7 3 -