

Suitable to be coupled screw pumps having shaft Ø32 mm and flange Ø220 mm

LA ELMO S.r.l. SI RISERVA IL DIRITTO DI APPORTARE QUALSIASI VARIAZIONE SENZA ALCUN PREAVVISO. IN ANY MOMENT AND WITHOUT NOTICE ELMO CAN CHANGE MANUFACTURING PROCESS, PERFORMANCE FEATURES.

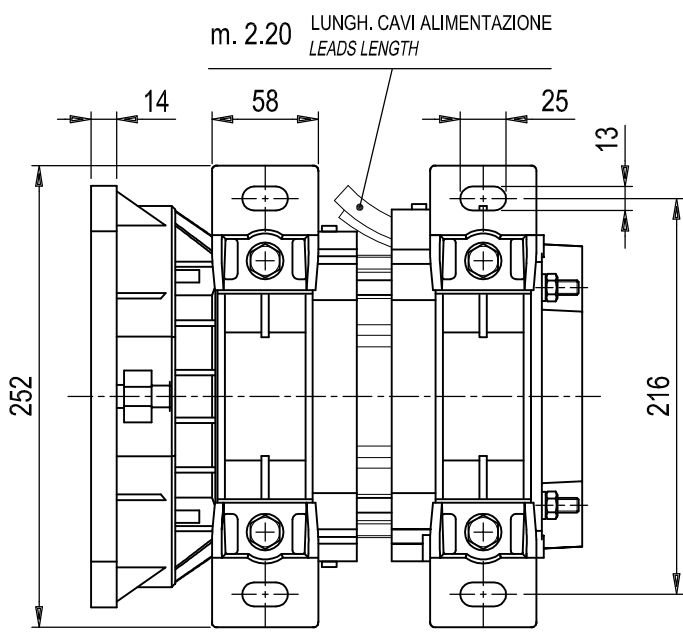
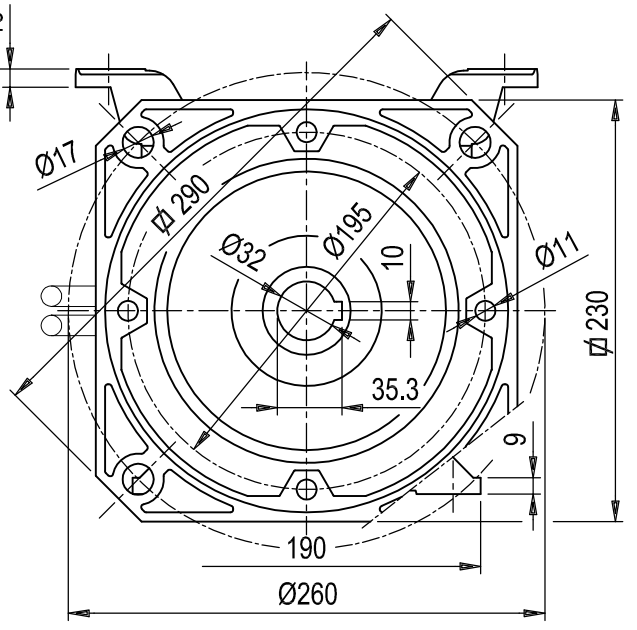
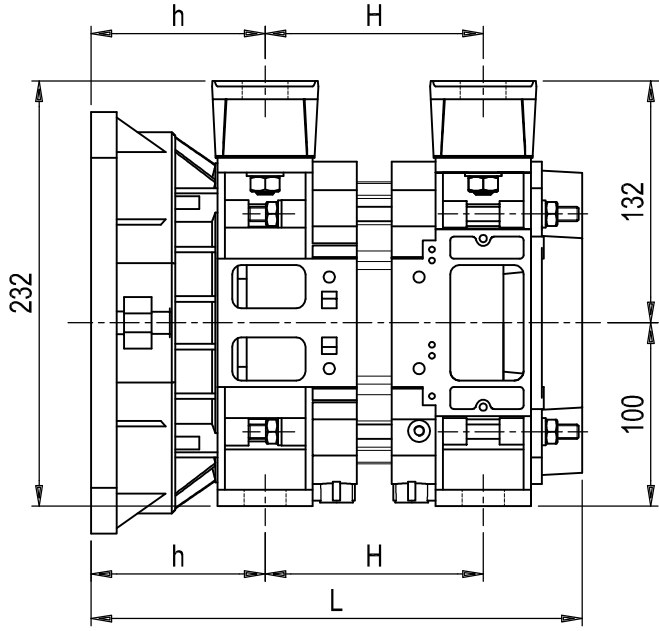
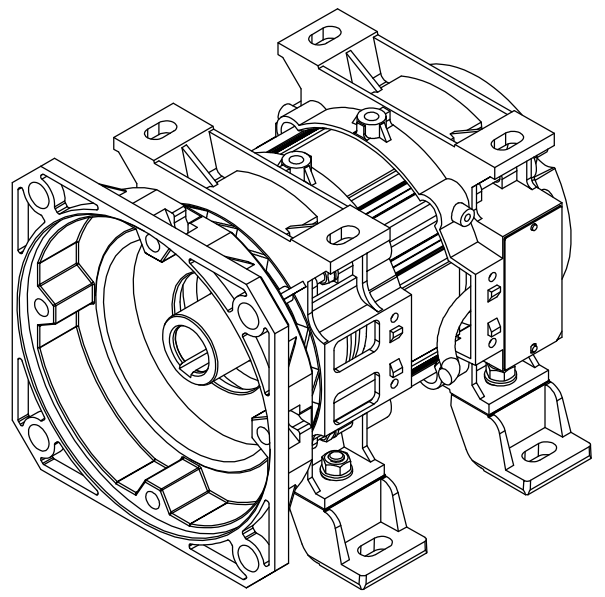
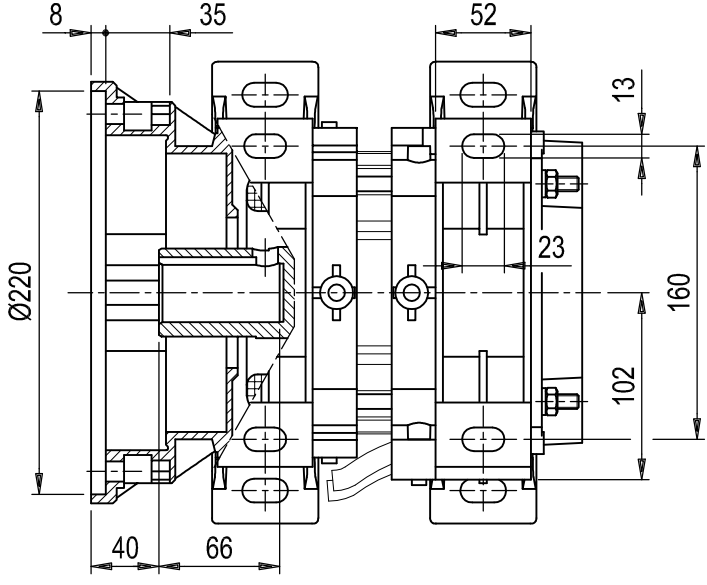


**ELMO**  
 V.le Certosa 8/B - 27100 Pavia Italy  
 Tel. ++39 382 529564 - 422372  
 Fax. ++39 382 527041  
 E-Mail: info@elmoitaly.com

MOTORI IMMERSI PER ASCENSORI IDRAULICI  
 SUBMERSIBLE MOTORS FOR HYDRAULIC LIFTS  
 UNTEROELMOTOREN FUER HYDRAULISCHE AUFZUEGE  
 MOTEURS IMMERGES DANS L'HUILE POUR ASCENSEURS HIDRAULIQUES  
 MOTORI TRIFASI THREE PHASE MOTORS DREIPHASEENMOTOREN MOTEURS TRIPHASES



60 Hz  
 52TS-U-8S4-  
 1505-12



m. 2.20 LUNGH. CAVI ALIMENTAZIONE  
 LEADS LENGTH

MOTORS WITHOUT FLYWHEEL

GRANDEZZA - SIZE		POTENZA A 60 Hz NOMINAL OUTPUT AT 60 Hz		OMOLOGAZ. TIPO - TYPE APPROVAL		DIMENSIONI D'INGOMBRO OVERALL DIMENSION		POTENZA A 60 Hz NOMINAL OUTPUT AT 60 Hz	
COD. BASE - BASIC P/N	POLARITA' - POLARITY	kW	HP	TENSIONE VOLTAGE	SERIE CAVI - CABLE LENGTH	L	h	H	HP
5	2 T S	1 7 5	2 3 5	U	8 S	363	95	214	2 3 5
		1 8 5	2 5 0			M 363		214	2 5 0
		2 4 0	3 3 0			L 388		239	3 3 0
		2 9 0	4 0 0			H 413		264	4 0 0
		3 7 0	5 0 0			Y 438		289	5 0 0