

Suitable to be coupled screw pumps having shaft $\varnothing 32$ mm and flange $\varnothing 111.1$ mm

LA ELMO S.r.l. SI RISERVA IL DIRITTO DI APPORTARE QUALSIASI VARIAZIONE SENZA ALCUN PREAVVISO.

IN ANY MOMENT AND WITHOUT NOTICE ELMO CAN CHANGE MANUFACTURING PROCESS, PERFORMANCE FEATURES.



V.le Certosa 8/B - 27100 Pavia Italy
 Tel. ++39 382 529564 - 422372
 Fax. ++39 382 527041
 E-Mail: info@elmoitaly.com

MOTORI IMMERSI PER ASCENSORI IDRAULICI
 SUBMERSIBLE MOTORS FOR HYDRAULIC LIFTS

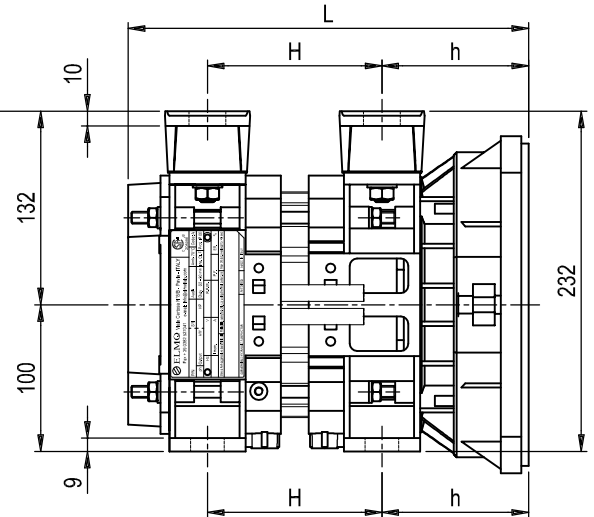
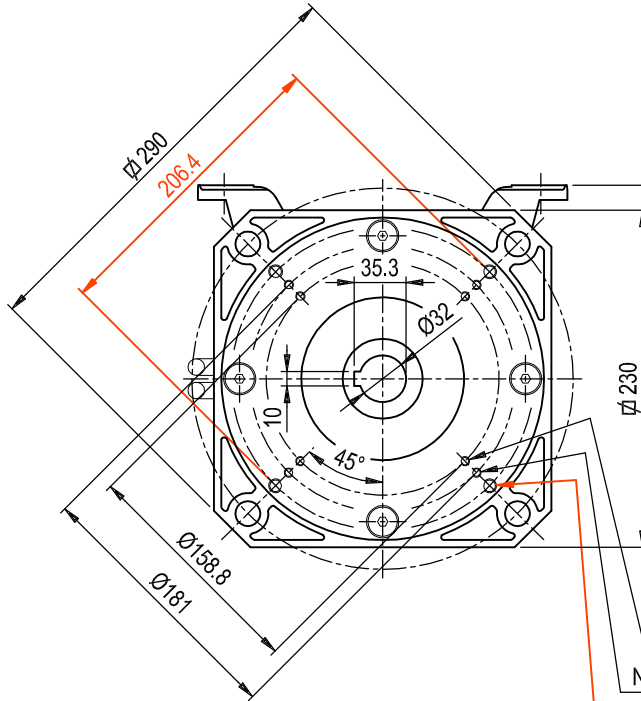
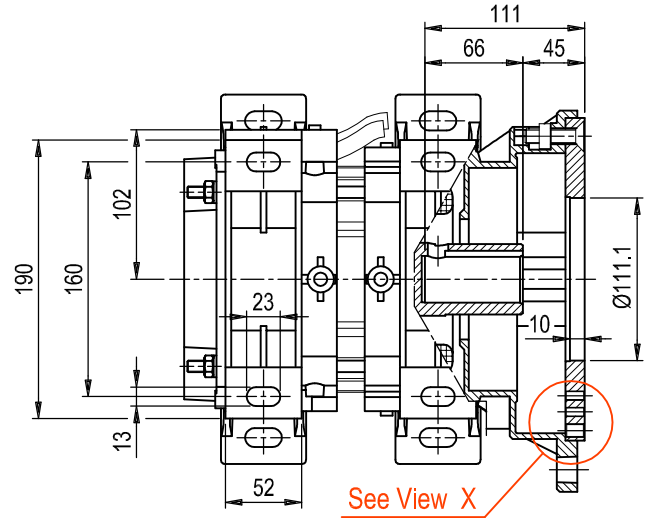
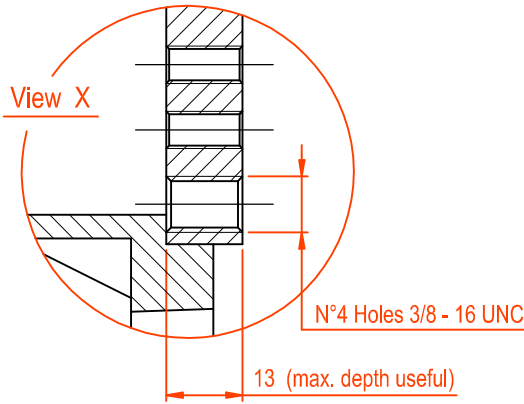
UNTEROELMOTOREN FUER HYDRAULISCHE AUFZUEGE

MOTEURS IMMERGES DANS L'HUILE POUR ASCENSEURS HIDRAULIQUES

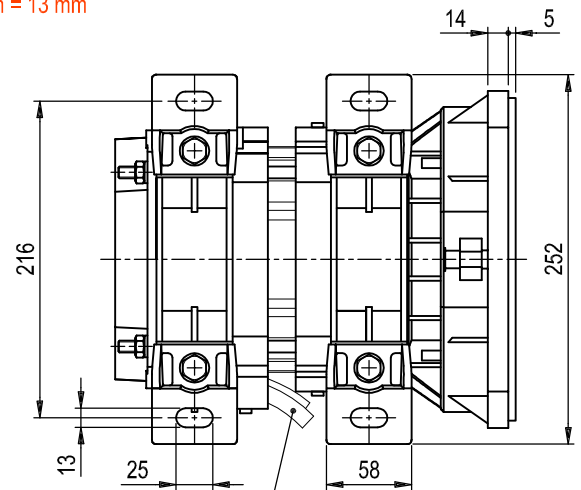
MOTORI TRIFASI THREE PHASE MOTORS DREIPHASEENMOTOREN MOTEURS TRIPHASES



60 Hz
 52TS-U-USA-
 1505-12



N°4 Holes 3/8 - 16 UNC
 Max. depth = 13 mm



m. 2.20 LUNGH. CAVI ALIMENTAZIONE
 LEADS LENGTH

MOTORS WITHOUT FLYWHEEL																	
COD. BASE - BASIC P/N																	
GRANDEZZA - SIZE		POLARITA' - POLARITY		ALIMENTAZ. - POWER SUPPLY		FREQUENZA - FREQUENCY		POTENZA A 60 Hz NOMINAL OUTPUT AT 60 Hz		OMOLOGAZ. TIPO - TYPE APPROVAL							
								kW		TENSIONE VOLTAGE							
										SERIE CAVI - CABLE LENGTH							
										ACCOPIAMENTO - SUITABLE TO							
										SENZA VOLANO - WITHOUT FLYWHEEL							
										PIEDI FISSAGGIO - FIXING FEET							
										ALTRE QUOTE - OTHER DIMENS.							
										DIMENSIONI D'INGOMBRO							
										OVERALL DIMENSION							
										POTENZA A 60 Hz NOMINAL OUTPUT AT 60 Hz							
										L							
										h							
										H							
										HP							
5	2	T	S	1	7	5	U	U	S	4	N	368	100	214	2	3	5
				1	8	5					M	368		214	2	5	-
				2	4	0					L	393		239	3	3	-
				2	9	0					H	418		264	4	0	-
				3	7	0					Y	443		289	5	0	-