

Suitable to be coupled screw pumps having shaft $\varnothing 32$ mm and flange $\varnothing 111.1$ mm

LA ELMO S.r.l. SI RISERVA IL DIRITTO DI APPORTARE QUALSIASI VARIAZIONE SENZA ALCUN PREAVVISO.

IN ANY MOMENT AND WITHOUT NOTICE ELMO CAN CHANGE MANUFACTURING PROCESS, PERFORMANCE FEATURES.



V.le Certosa 8/B - 27100 Pavia Italy
 Tel. ++39 382 529564 - 422372
 Fax. ++39 382 527041
 E-Mail: info@elmoitaly.com

MOTORI IMMERSI PER ASCENSORI IDRAULICI
 SUBMERSIBLE MOTORS FOR HYDRAULIC LIFTS

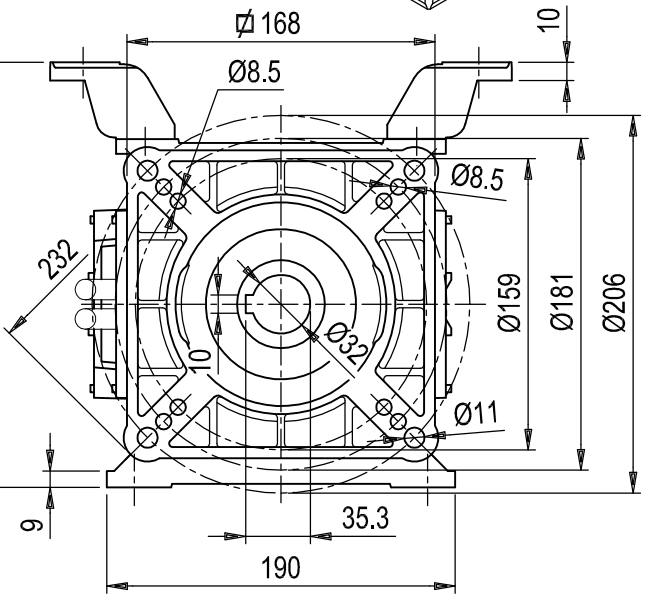
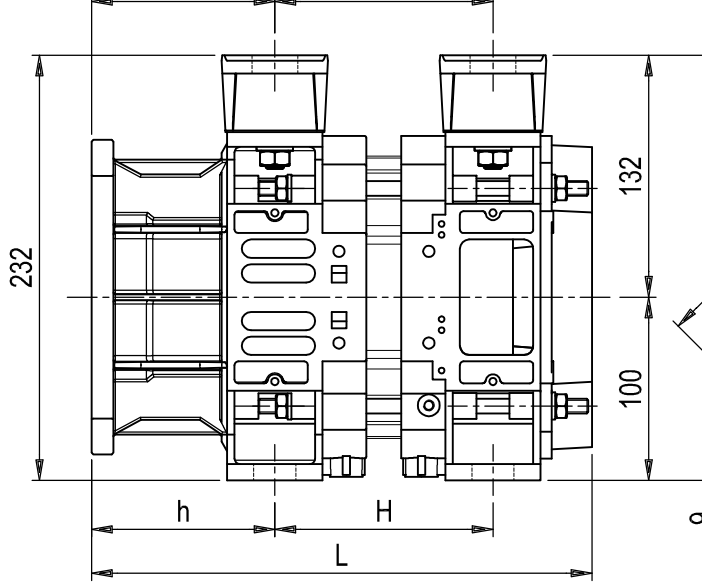
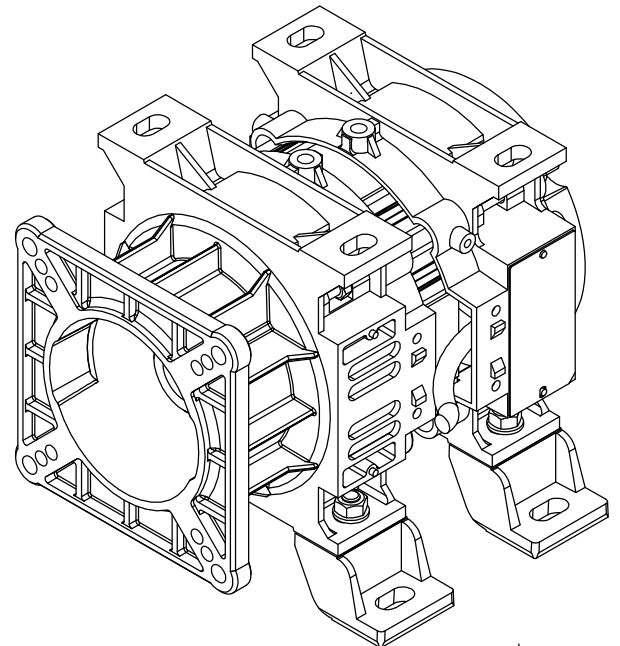
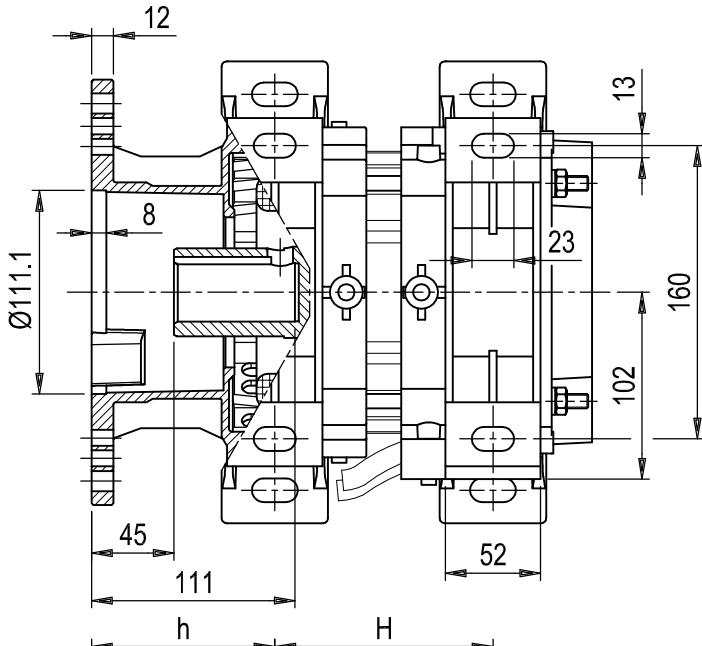
UNTEROELMOTOREN FUER HYDRAULISCHE AUFZUEGE

MOTEURS IMMERGES DANS L'HUILE POUR ASCENSEURS HIDRAULIQUES

MOTORI TRIFASI THREE PHASE MOTORS DREIPHASEENMOTOREN MOTEURS TRIPHASES

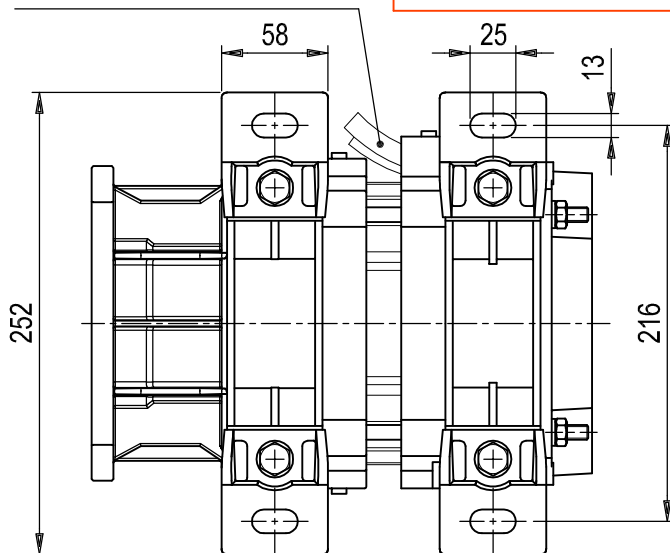


60 Hz
 52TS-U-XSA-
 1505-12



m. 2.20 LUNGH. CAVI ALIMENTAZIONE
 LEADS LENGTH

THESE MOTORS ARE MADE ONLY ON SPECIFIC REQUEST



MOTORS WITHOUT FLYWHEEL

GRANDEZZA - SIZE		POLARITA' - POLARITY		ALIMENTAZ. - POWER SUPPLY		FREQUENZA - FREQUENCY		POTENZA A 60 Hz NOMINAL OUTPUT AT 60 Hz		OMOLOGAZ. TIPO - TYPE APPROVAL		TENSIONE VOLTAGE		SERIE CAVI - CABLE LENGTH		ACCOPPAMENTO - SUITABLE TO		SENZA VOLANO - WITHOUT FLYWHEEL		PIEDI FISSAGGIO - FIXING FEET		ALTRE QUOTE - OTHER DIMENS.		DIMENSIONI D'INGOMBRO OVERALL DIMENSION		POTENZA A 60 Hz NOMINAL OUTPUT AT 60 Hz	
L	h	H	HP																								
5	2	T	S	1	1	0	1	3	0	1	5	0	1	7	5	U	X	S	4	R	313	100	159	1	5	-	
				1	3	0	1	7	5										P	328	174	1	7	5			
				1	5	0	1	8	5										O	343	189	2	0	-			
				1	7	5	1	8	5										N	368	214	2	3	5			
				1	8	5	2	4	0										M	368	214	2	5	-			
				2	4	0	2	9	0										L	393	239	3	3	-			
				2	9	0	3	7	0										H	418	264	4	0	-			
				3	7	0													Y	443	289	5	0	-			