

Suitable to be coupled screw pumps having shaft Ø32 mm and flange Ø220 mm

LA ELMO S.r.l. SI RISERVA IL DIRITTO DI APPORTARE QUALSIASI VARIAZIONE SENZA ALCUN PREAVVISO.

IN ANY MOMENT AND WITHOUT NOTICE ELMO CAN CHANGE MANUFACTURING PROCESS, PERFORMANCE FEATURES.



ELMO

V.le Certosa 8/B - 27100 Pavia Italy
 Tel. ++39 382 529564 - 422372
 Fax. ++39 382 527041
 E-Mail: info@elmoitaly.com

MOTORI IMMERSI PER ASCENSORI IDRAULICI
 SUBMERSIBLE MOTORS FOR HYDRAULIC LIFTS

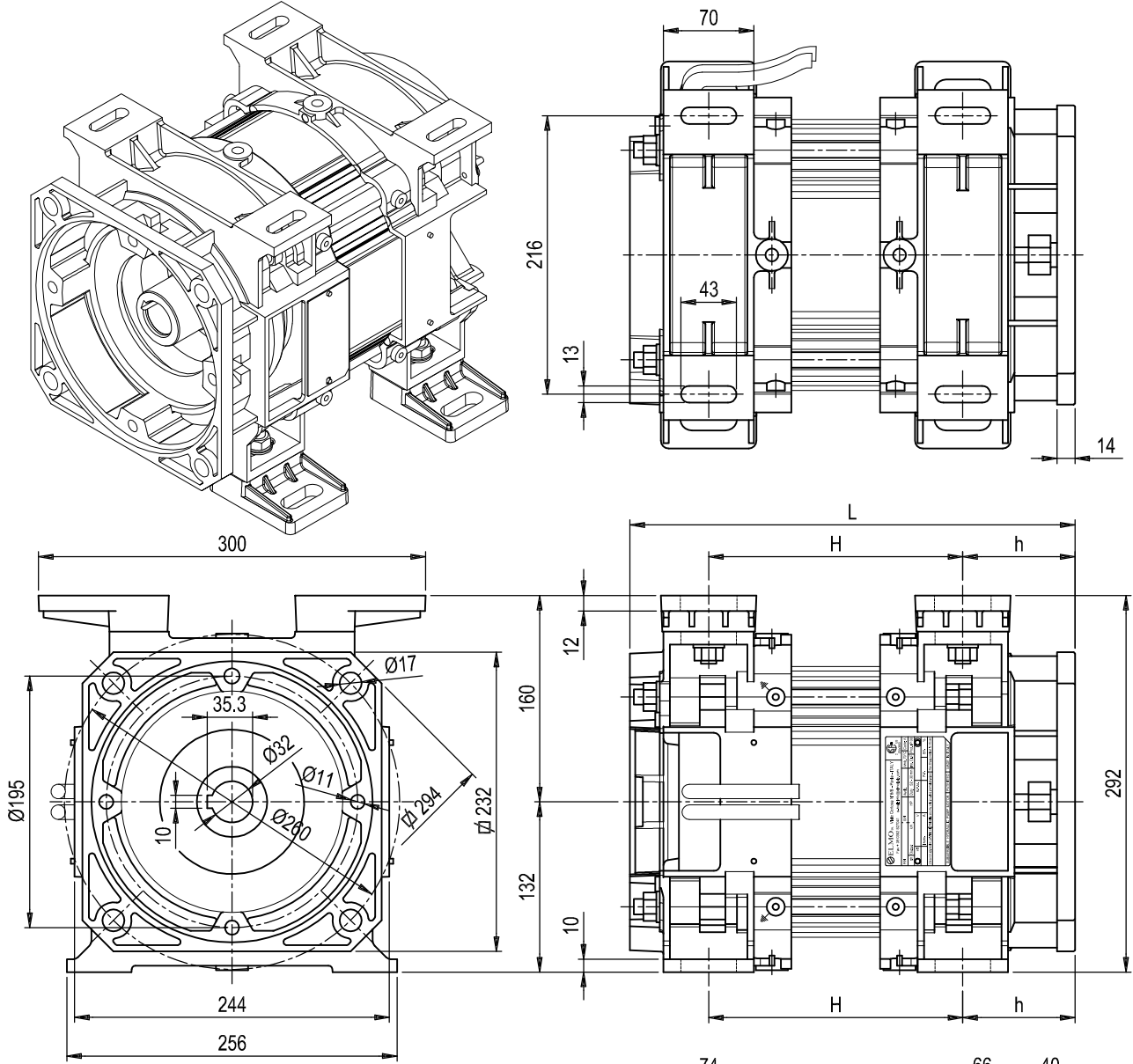
UNTEROELMOTOREN FUER HYDRAULISCHE AUFZUEGE

MOTEURS IMMERGES DANS L'HUILE POUR ASCENSEURS HIDRAULIQUES

MOTORI TRIFASI THREE PHASE MOTORS DREIPHASEENMOTOREN MOTEURS TRIPHASES



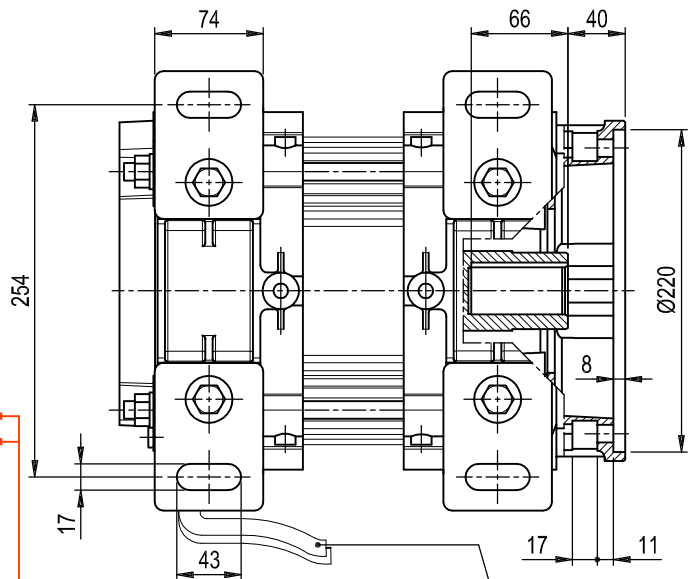
60 Hz
 22TS-U-9S8-
 1609-15



MOTORS WITHOUT FLYWHEEL

COD. BASE - BASIC P/N		KW	TENSIONE VOLTAGE	SERIE CAVI - CABLE LENGTH	ACCOPPIAMENTO - SUITABLE TO SENZA VOLANO - WITHOUT FLYWHEEL	PIEDI FISSAGGIO - FIXING FEET	ALTRE QUOTE - OTHER DIMENS.	DIMENSIONI D'INGOMBRO OVERALL DIMENSION			POTENZA A 60 Hz NOMINAL OUTPUT AT 60 Hz
GRANDEZZA - SIZE	POLARITA' - POLARITY							L	h	H	
2	2	2 9 0	U		9	8	G	345	87	197	4 0 -
	T	3 7 0			S		F	360		212	5 0 -
	S	4 0 0					E	375		227	5 4 -
		4 4 1					D	395		247	6 0 -
		4 8 0					D	395		247	6 5 -
		5 5 2					C	420		272	7 5 -
		5 7 0					C	420		272	7 7 -
		7 2 0					A	460		312	9 8 -
		9 2 0					B	450		362	1 2 5
		A 8 0					X	565		417	1 4 7

Nominal output shown with A80 kW is equal to 108 kW



THESE MOTORS ARE MADE ONLY ON SPECIFIC REQUEST

m. 2.20 LUNGH. CAVI ALIMENTAZIONE LEADS LENGTH