

Suitable to be coupled screw pumps having shaft $\varnothing 32$ mm and flange $\varnothing 111.1$ mm

LA ELMO S.r.l. SI RISERVA IL DIRITTO DI APPORTARE QUALSIASI VARIAZIONE SENZA ALCUN PREAVVISO.

IN ANY MOMENT AND WITHOUT NOTICE ELMO CAN CHANGE MANUFACTURING PROCESS, PERFORMANCE FEATURES.



ELMO

V.le Certosa 8/B - 27100 Pavia Italy
 Tel. ++39 382 529564 - 422372
 Fax. ++39 382 527041
 E-Mail: info@elmoitaly.com

MOTORI IMMERSI PER ASCENSORI IDRAULICI
 SUBMERSIBLE MOTORS FOR HYDRAULIC LIFTS

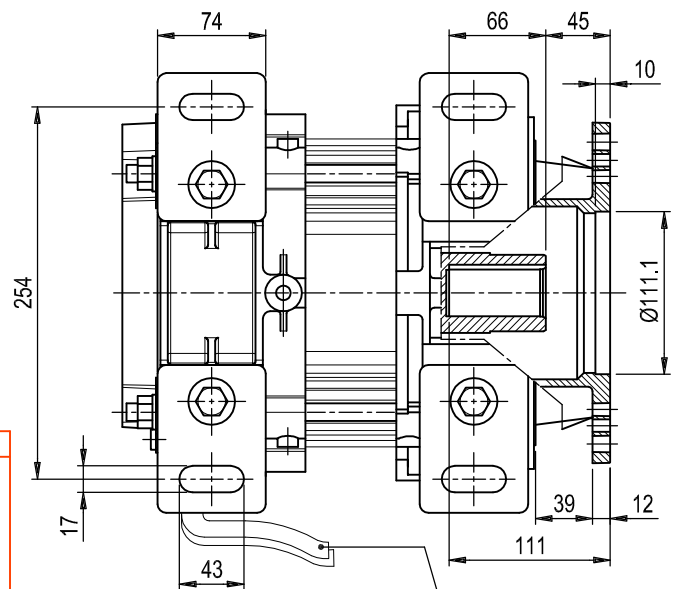
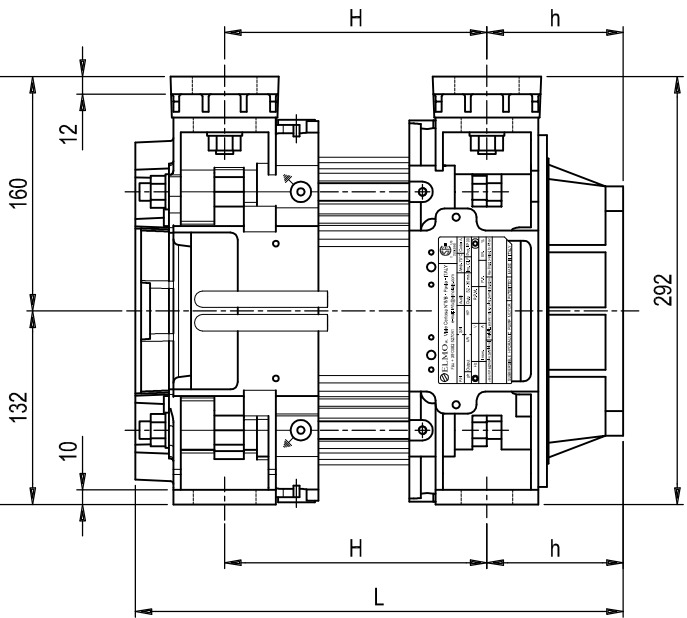
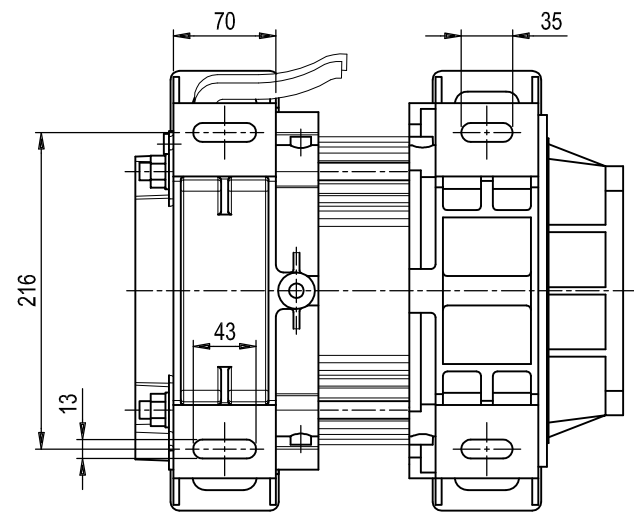
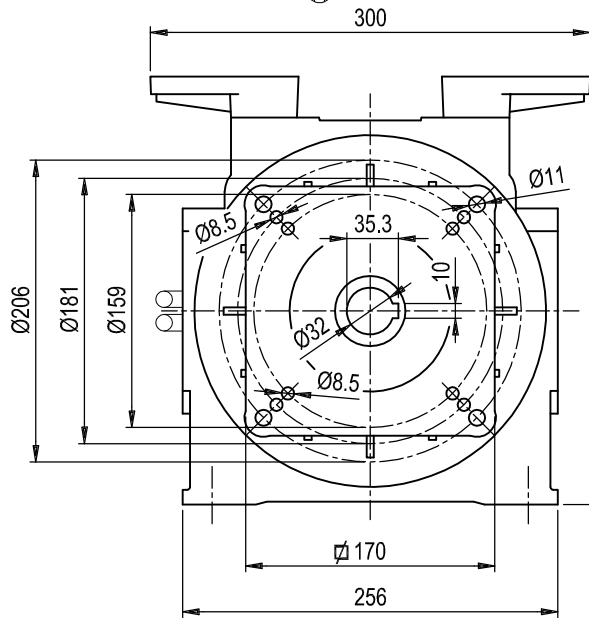
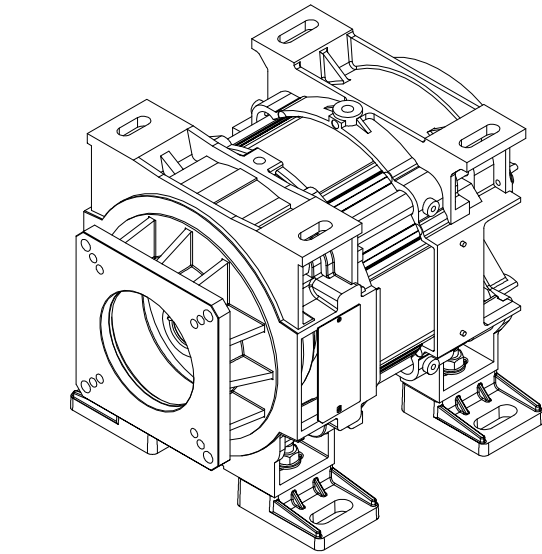
UNTEROELMOTOREN FUER HYDRAULISCHE AUFZUEGE

MOTEURS IMMERGES DANS L'HUILE POUR ASCENSEURS HIDRAULIQUES

MOTORI TRIFASI THREE PHASE MOTORS DREIPHASEENMOTOREN MOTEURS TRIPHASES



60 Hz
 22TS-U-Y88-
 1609-15



MOTORS WITHOUT FLYWHEEL

| COD. BASE - BASIC P/N | | KW | TENSORE VOLTAGE | SERIE CAVI - CABLE LENGTH | ACCOPPIAMENTO - SUITABLE TO | SENZA VOLANO - WITHOUT FLYWHEEL | PIEDI FISSAGGIO - FIXING FEET | ALTRE QUOTE - OTHER DIMENS. | DIMENSIONI D'INGOMBRO | | | POTENZA A 60 Hz NOMINAL OUTPUT AT 60 Hz |
|-----------------------|----------------------|-------|-----------------|---------------------------|-----------------------------|---------------------------------|-------------------------------|-----------------------------|-----------------------|----|-----|--------------------------------------------|
| GRANDEZZA - SIZE | POLARITA' - POLARITY | | | | | | | | L | h | H | |
| 2 | 2 | 2 9 0 | U | | Y | S | 8 | G | 350 | 93 | 196 | 4 0 - |
| | | 3 7 0 | | | | | | F | 365 | | 211 | 5 0 - |
| | | 4 0 0 | | | | | | E | 380 | | 226 | 5 4 - |
| | | 4 4 1 | | | | | | D | 400 | | 246 | 6 0 - |
| | | 4 8 0 | | | | | | D | 400 | | 246 | 6 5 - |
| | | 5 5 2 | | | | | | C | 425 | | 271 | 7 5 - |
| | | 5 7 0 | | | | | | C | 425 | | 271 | 7 7 - |
| | | 7 2 0 | | | | | | B | 465 | | 311 | 9 8 - |
| | | 9 2 0 | | | | | | A | 515 | | 361 | 1 2 5 |
| | | A 8 0 | | | | | | X | 570 | | 416 | 1 4 7 |

Nominal output shown with A80 kW is equal to 108 kW

THESE MOTORS ARE MADE ONLY ON SPECIFIC REQUEST

m. 2.20 LUNGH. CAVI ALIMENTAZIONE LEADS LENGTH