

Suitable to be coupled special screw pumps shaft Ø38 mm and flange Ø220 mm having flow rate = 1200 or 1400 Liters



ELMO

V.le Certosa 8/B - 27100 Pavia Italy
 Tel. ++39 382 529564 - 422372
 Fax. ++39 382 527041
 E-Mail: info@elmoitaly.com

MOTORI IMMERSI PER ASCENSORI IDRAULICI
 SUBMERSIBLE MOTORS FOR HYDRAULIC LIFTS

UNTEROELMOTOREN FUER HYDRAULISCHE AUFZUEGE

MOTEURS IMMERGES DANS L'HUILE POUR ASCENSEURS HIDRAULIQUES

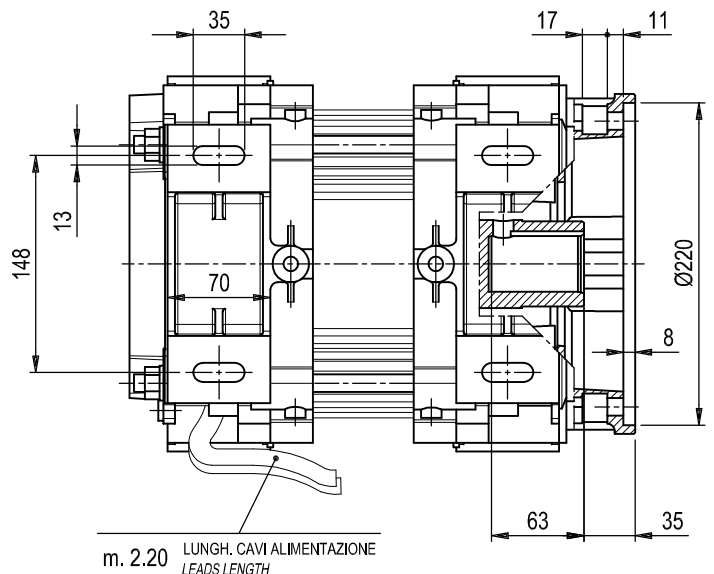
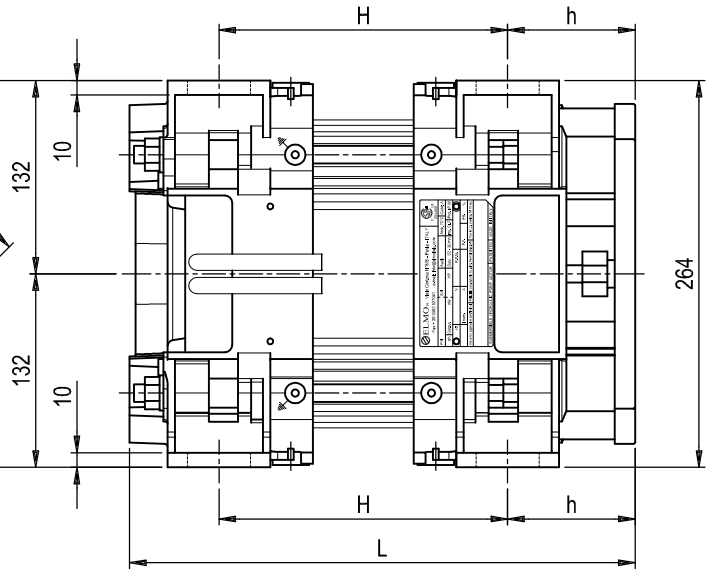
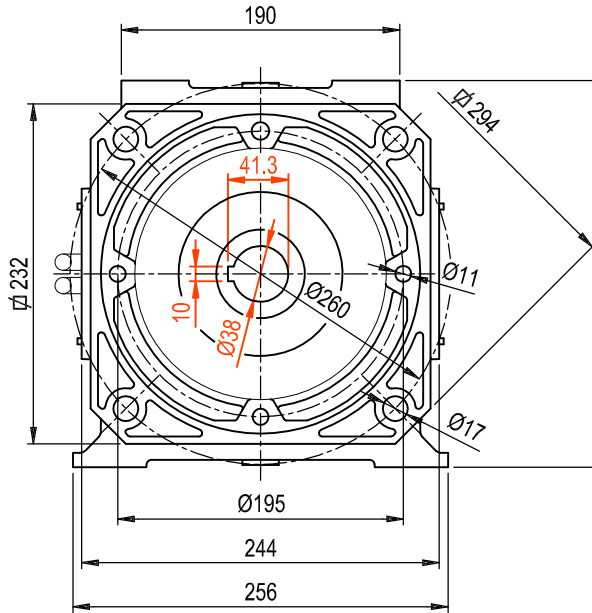
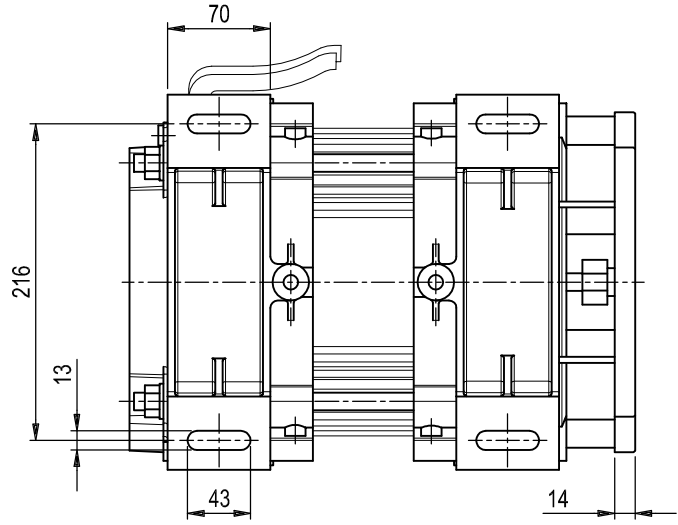
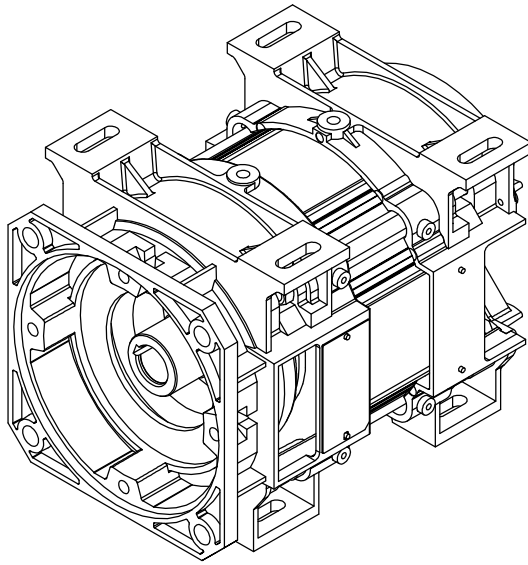
MOTORI TRIFASI THREE PHASE MOTORS DREIPHASEENMOTOREN MOTEURS TRIPHASES



60 Hz
 22TS-U-ZS7-
 1609-15

IN ANY MOMENT AND WITHOUT NOTICE ELMO CAN CHANGE MANUFACTURING PROCESS, PERFORMANCE FEATURES.

LA ELMO S.r.l. SI RISERVA IL DIRITTO DI APPORTARE QUALSIASI VARIAZIONE SENZA ALCUN PREAVVISO.



m. 2.20 LUNGH. CAVI ALIMENTAZIONE
 LEADS LENGTH

MOTORS WITHOUT FLYWHEEL

COD. BASE - BASIC P/N		GRANDEZZA - SIZE		POTENZA A 60 Hz NOMINAL OUTPUT AT 60 Hz		OMOLOGAZ. TIPO - TYPE APPROVAL		TENSIONE VOLTAGE		SERIE CAVI - CABLE LENGTH		ACCOPPIAMENTO - SUITABLE TO		SENZA VOLANO - WITHOUT FLYWHEEL		PIEDI FISSAGGIO - FIXING FEET		ALTRE QUOTE - OTHER DIMENS.		DIMENSIONI D'INGOMBRO OVERALL DIMENSION		POTENZA A 60 Hz NOMINAL OUTPUT AT 60 Hz	
2	2	T	S	kW	HP	U	V	E	D	C	B	A	X	L	h	H	HP						
2	2	T	S	4.0	5.4	U	220	E	D	C	B	A	X	87	87	227	5.4						
2	2	T	S	4.1	5.5	U	220	D	C	B	A	X				247	6.0						
2	2	T	S	4.8	6.5	U	220	D	C	B	A	X				247	6.5						
2	2	T	S	5.2	7.0	U	220	C	B	A	X					272	7.5						
2	2	T	S	5.7	7.7	U	220	C	B	A	X					272	7.7						
2	2	T	S	7.2	9.8	U	220	B	A	X						312	9.8						
2	2	T	S	9.2	12.5	U	220	A	X							362	12.5						
2	2	T	S	8.0	10.8	U	220	X								417	14.7						

Nominal output shown with A80 kW is equal to 108 kW