

Suitable to be coupled special screw pumps shaft Ø38 mm and flange Ø220 mm having flow rate = 1200 or 1400 Liters

LA ELMO S.r.l. SI RISERVA IL DIRITTO DI APPORTARE QUALSIASI VARIAZIONE SENZA ALCUN PREAVVISO.

IN ANY MOMENT AND WITHOUT NOTICE ELMO CAN CHANGE MANUFACTURING PROCESS, PERFORMANCE FEATURES.



**ELMO**

V.le Certosa 8/B - 27100 Pavia Italy  
 Tel. ++39 382 529564 - 422372  
 Fax. ++39 382 527041  
 E-Mail: info@elmoitaly.com

MOTORI IMMERSI PER ASCENSORI IDRAULICI  
 SUBMERSIBLE MOTORS FOR HYDRAULIC LIFTS

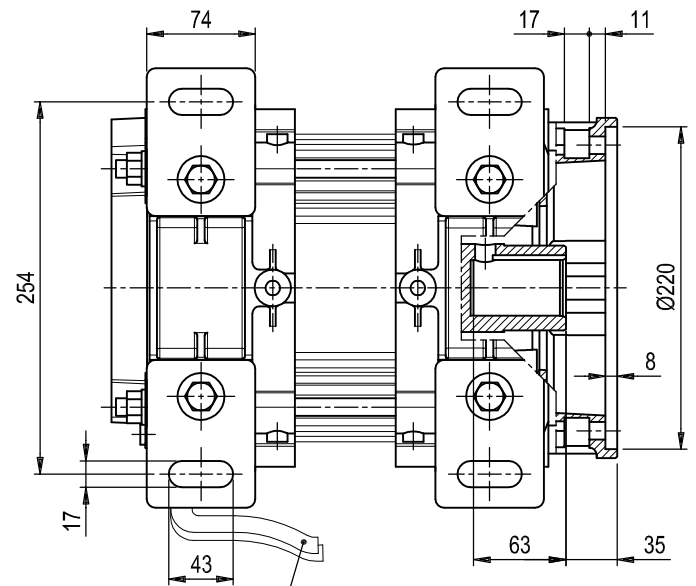
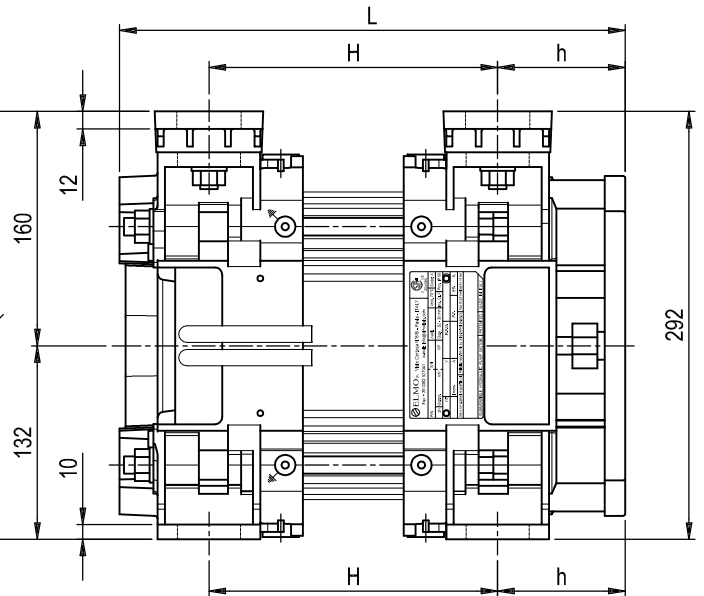
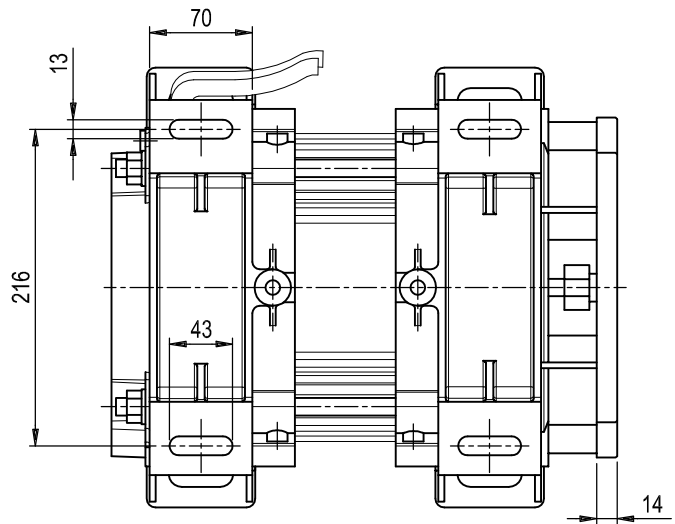
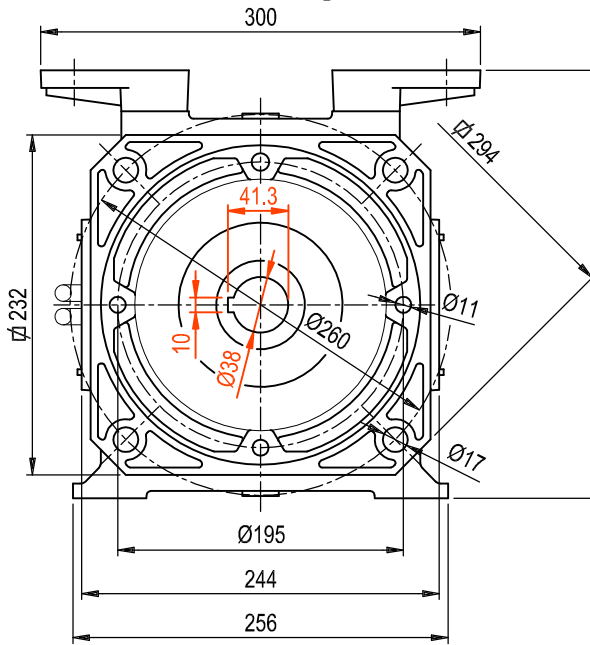
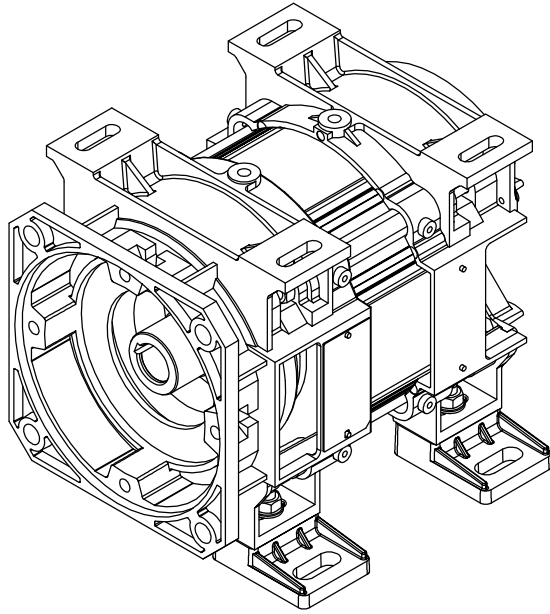
UNTEROELMOTOREN FUER HYDRAULISCHE AUFZUEGE

MOTEURS IMMERGES DANS L'HUILE POUR ASCENSEURS HIDRAULIQUES

MOTORI TRIFASI THREE PHASE MOTORS DREIPHASEENMOTOREN MOTEURS TRIPHASES



60 Hz  
 22TS-U-ZS8-  
 1609-15



MOTORS WITHOUT FLYWHEEL

GRANDEZZA - SIZE		POLARITA' - POLARITY		ALIMENTAZ. - POWER SUPPLY		FREQUENZA - FREQUENCY		POTENZA A 60 Hz NOMINAL OUTPUT AT 60 Hz		OMOLOGAZ. TIPO - TYPE APPROVAL		TENSIONE VOLTAGE		SERIE CAVI - CABLE LENGTH		ACCOPPIAMENTO - SUITABLE TO		SENZA VOLANO - WITHOUT FLYWHEEL		PIEDI FISSAGGIO - FIXING FEET		ALTRE QUOTE - OTHER DIMENS.		DIMENSIONI D'INGOMBRO OVERALL DIMENSION		POTENZA A 60 Hz NOMINAL OUTPUT AT 60 Hz	
2	2	T	S	4	0	4	0	U		V	Z	S	8	E	D	D	C	C	B	A	X	L	h	H	HP		
2	2	T	S	4	0	4	0	U		V	Z	S	8	E	D	D	C	C	B	A	X	87	227	5	4	-	
				4	1	4	1							D	395	247	6	0	-								
				4	8	0	0							D	395	247	6	5	-								
				5	5	2	0							C	420	272	7	5	-								
				5	7	0	0							C	420	272	7	7	-								
				7	2	0	0							B	460	312	9	8	-								
				9	2	0	0							A	510	362	1	2	5								
				A	8	0	0							X	565	417	1	4	7								

Nominal output shown with A80 kW is equal to 108 kW

m. 2.20 LUNGH. CAVI ALIMENTAZIONE  
 LEADS LENGTH