



ELMO

V.le Certosa 8/B - 27100 Pavia Italy
 Tel. + 39 382 529564 - 422372
 Fax. + 39 382 527041
 E-Mail: info@elmoitaly.com

MOTORI IMMERSI PER ASCENSORI IDRAULICI
 SUBMERSIBLE MOTORS FOR HYDRAULIC LIFTS

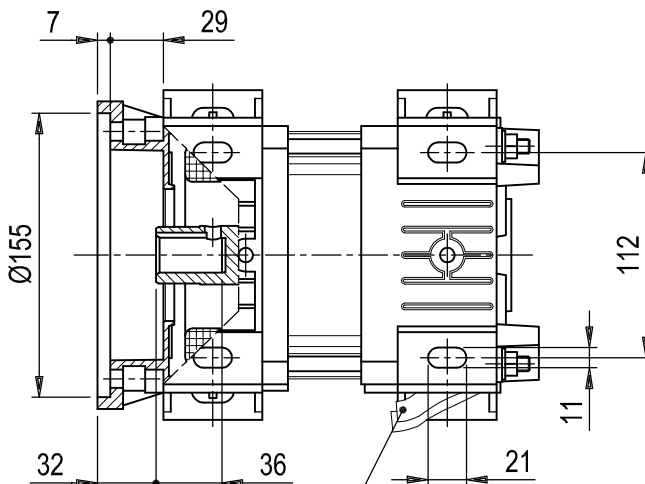
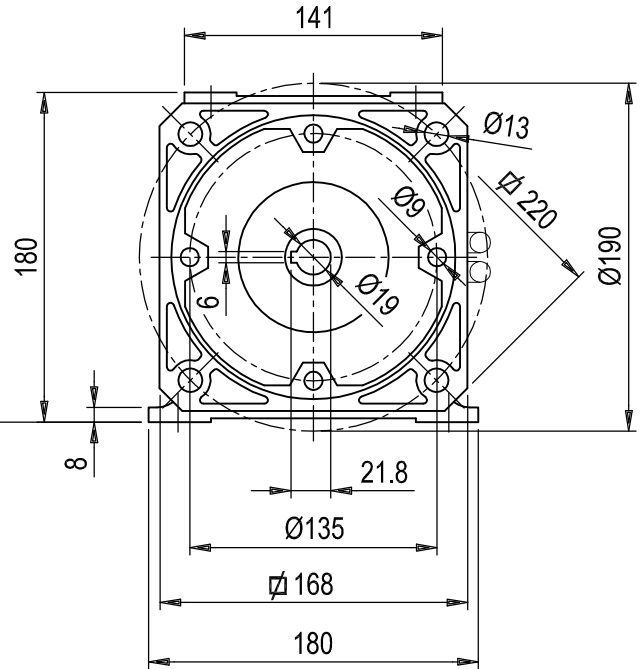
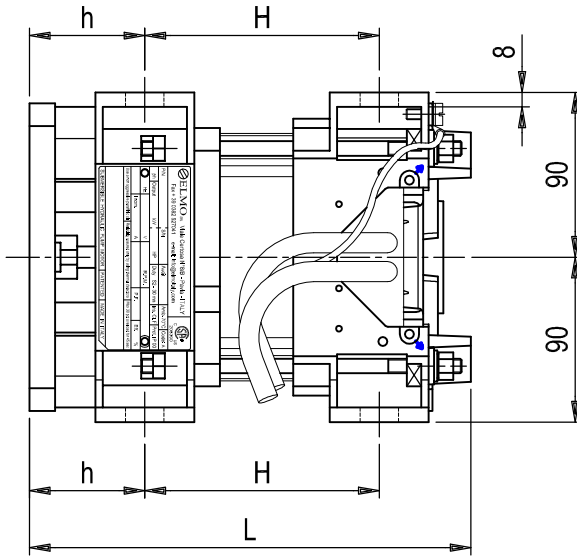
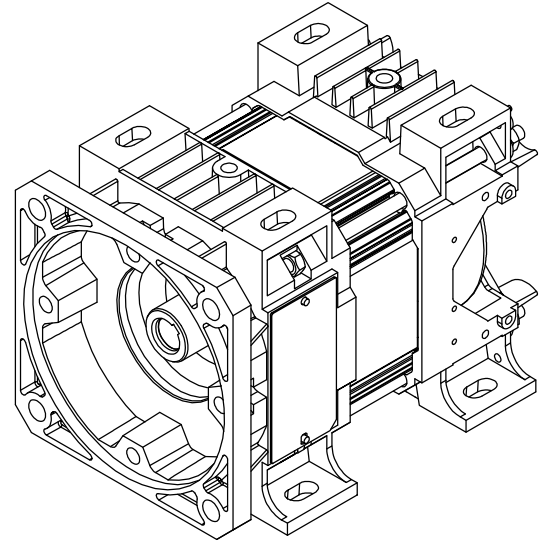
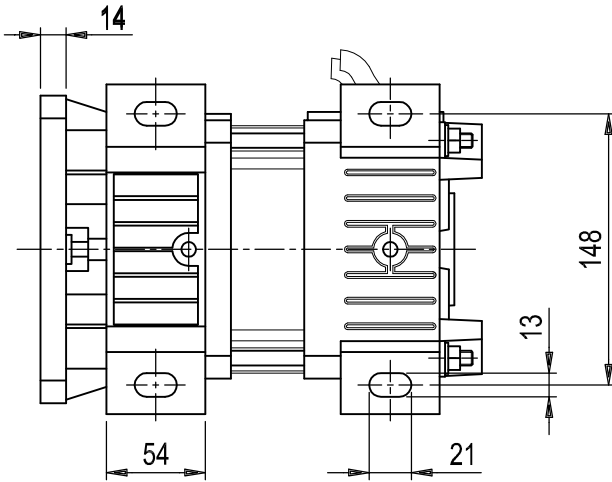
UNTEROELMOTOREN FÜR HYDRAULISCHE AUFZUEGE

MOTEURS IMMERGÉS DANS L'HUILE POUR ASCENSEURS HYDRAULIQUES

MOTORI MONOFASI SINGLE PHASE MOTORS EINPHASENMOTOREN MOTEURS MONOPHASES

60 Hz
 S342...M-SE-
 1508-27

LA ELMO S.r.l. SI RISERVA IL DIRITTO DI APPORTARE QUALSIASI VARIAZIONE SENZA ALCUN PREAVVISO. IN ANY MOMENT AND WITHOUT NOTICE ELMO CAN CHANGE MANUFACTURING PROCESS, PERFORMANCE FEATURES.



m.1.40 LUNGH. STANDARD CAVI ALIMENTAZIONE
 STANDARD LEADS LENGTH

MOTORS WITHOUT FLYWHEEL

| TIPO - TYPE | GRANDEZZA - ACCOPPIAM. SIZE - SUITABLE TO | POLARITÀ - POLES | SERIE - INTERNAL SERIES | kW | POTENZA A 60 Hz NOMINAL OUTPUT AT 60 Hz | MONOFASE - SINGLE PHASE | TENSIONE VOLTAGE | 60 Hz - CYCLES AT 60 Hz | ATTACCHI - FEET | TERMINALI - LEAD TERMINAL | DIMENSIONI | | | POTENZA A 60 Hz NOMINAL OUTPUT AT 60 Hz |
|-------------|--|------------------|-------------------------|-------|--|-------------------------|---------------------|-------------------------|-----------------|---------------------------|------------|----|-----|--|
| | | | | | | | | | | | L | h | H | |
| S | 3 | 4 | 2 | - 1 5 | M | | | S | E | | 240 | 63 | 128 | - 2 - |
| | | | | - 1 8 | | | | | | | 255 | | 143 | - 2 4 |
| | | | | - 2 6 | | | | | | | 270 | | 158 | - 3 6 |
| | | | | - 3 7 | | | | | | | 285 | | 173 | - 5 - |
| | | | | - 4 4 | | | | | | | 300 | | 188 | - 6 - |
| | | | | - 6 - | | | | | | | 315 | | 203 | - 8 - |
| | | | | - 7 4 | | | | | | | 330 | | 218 | - 1 0 |