



ELMO

V.le Certosa 8/B - 27100 Pavia Italy
 Tel. + 39 382 529564 - 422372
 Fax. + 39 382 527041
 E-Mail: info@elmoitaly.com

MOTORI IMMERSI PER ASCENSORI IDRAULICI
 SUBMERSIBLE MOTORS FOR HYDRAULIC LIFTS

UNTEROELMOTOREN FÜR HYDRAULISCHE AUFZUEGE

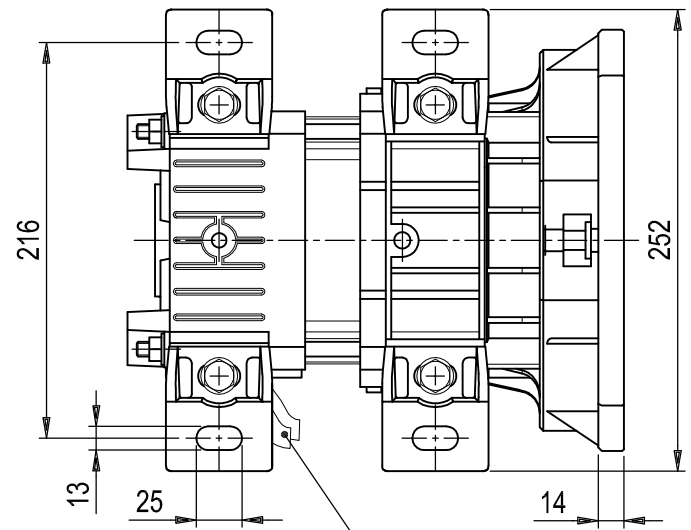
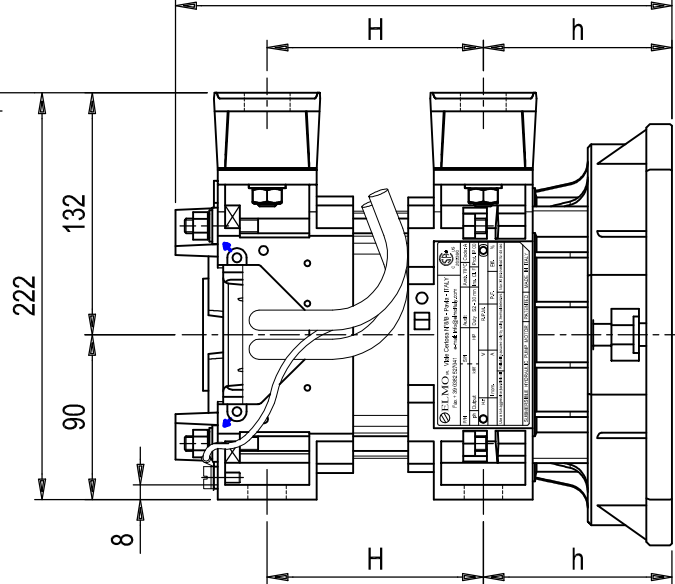
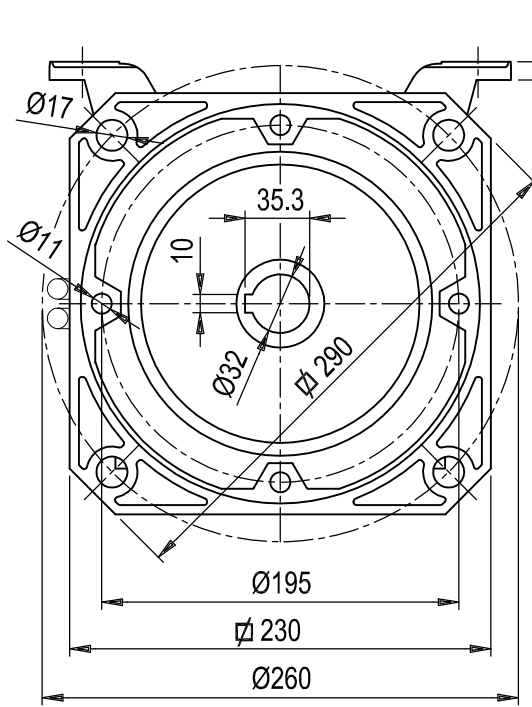
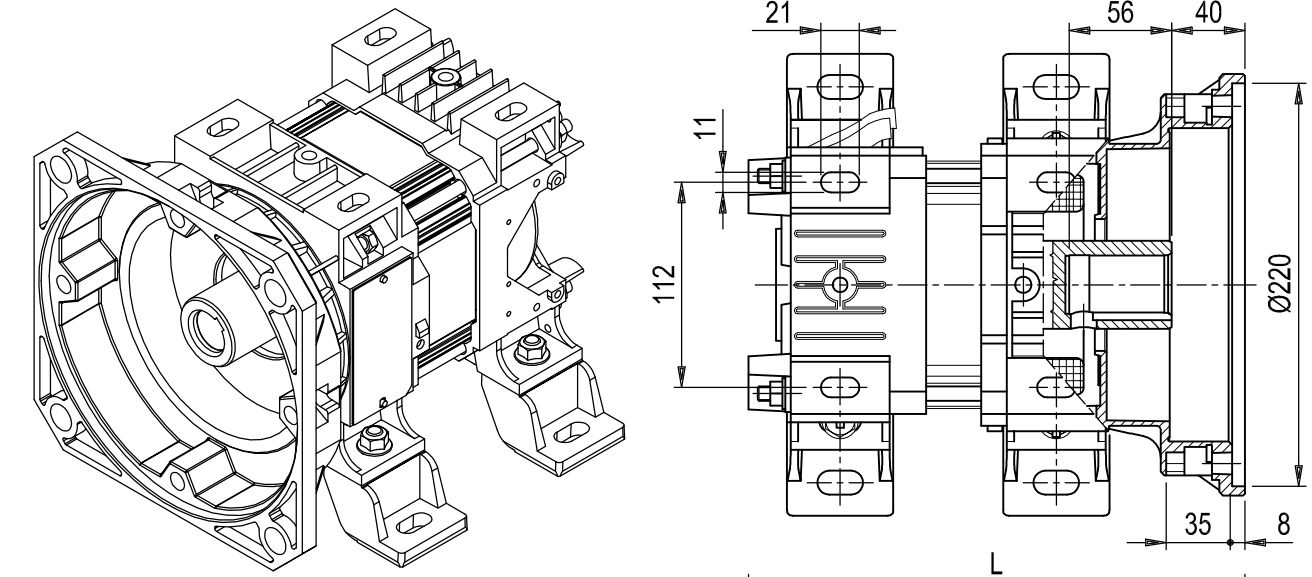
MOTEURS IMMERGÉS DANS L'HUILE POUR ASCENSEURS HYDRAULIQUES

MOTORI TRIFASI THREE PHASE MOTORS DREIPHASENMOTOREN MOTEURS TRIPHASES

60 Hz
 S362...T-S8-
 09/10-28

LA ELMO S.r.l. SI RISERVA IL DIRITTO DI APPORTARE QUALSIASI VARIAZIONE SENZA ALCUN PREAVVISO.

IN ANY MOMENT AND WITHOUT NOTICE ELMO CAN CHANGE MANUFACTURING PROCESS, PERFORMANCE FEATURES.



MOTORS WITHOUT FLYWHEEL

TIPO - TYPE	GRANDEZZA - ACCOPIAM. SIZE - SUITABLE TO	POLARITA' - POLES SERIE - INTERNAL SERIES	POTENZA A 60 Hz NOMINAL OUTPUT AT 60 Hz	TRIFASE - THREE PHASE	TENSIONE VOLTAGE	60 Hz - CYCLES AT 60 Hz	ATTACCHI - FEET TERMINALI - LEAD TERMINAL	DIMENSIONI DIMENSION	POTENZA A 60 Hz NOMINAL OUTPUT AT 60 Hz
S	3 6	2	KW	V	S	8	L h H	HP	
			1 1 -	T			355 103	203 1 5 -	
			1 3 2				370	218 1 8 -	
			1 5 -				390	238 2 0 -	

m.1.40 LUNGH. STANDARD CAVI ALIMENTAZIONE
 STANDARD LEADS LENGTH