



**ELMO**

V.le Certosa 8/B - 27100 Pavia Italy  
 Tel. + 39 382 529564 - 422372  
 Fax. + 39 382 527041  
 E-Mail: info@elmoitaly.com

Submersible motors Size 2 for hydraulic lifts suitable to be fit Settima Meccanica special screw pumps with flow rate 1000 and 1200 liter at 50Hz

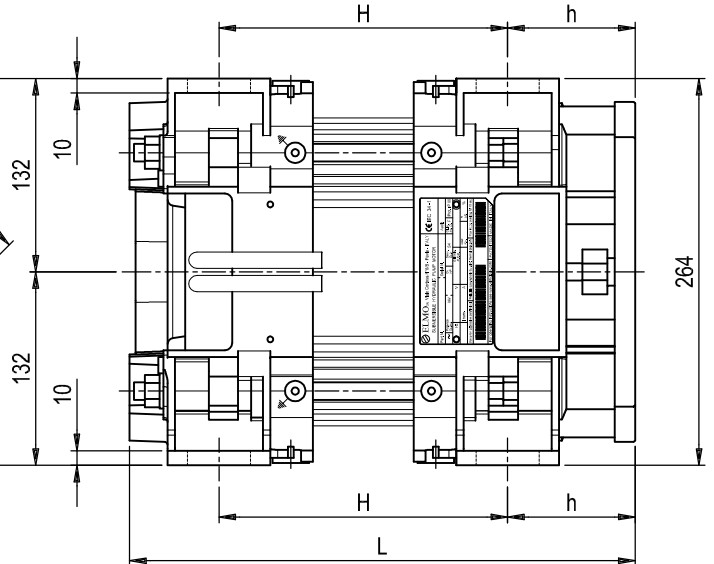
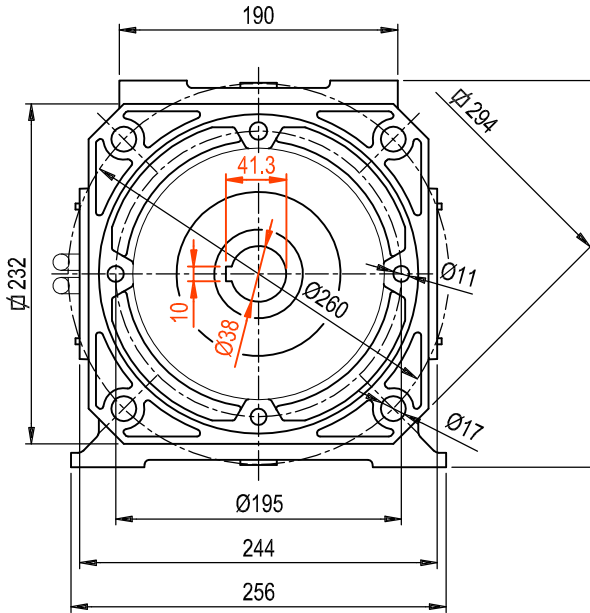
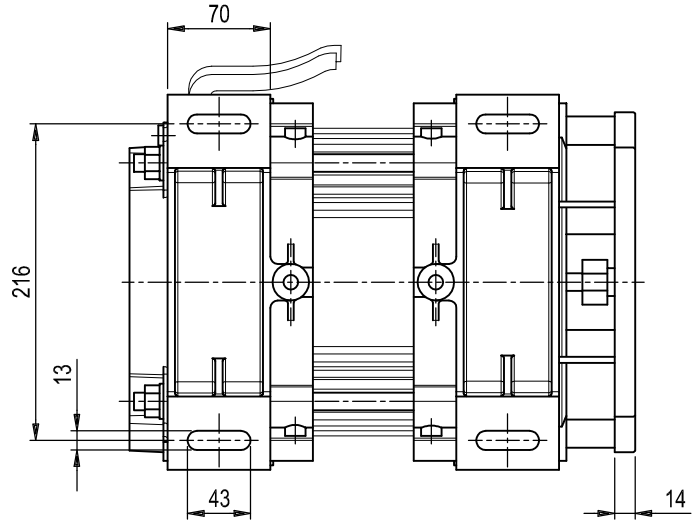
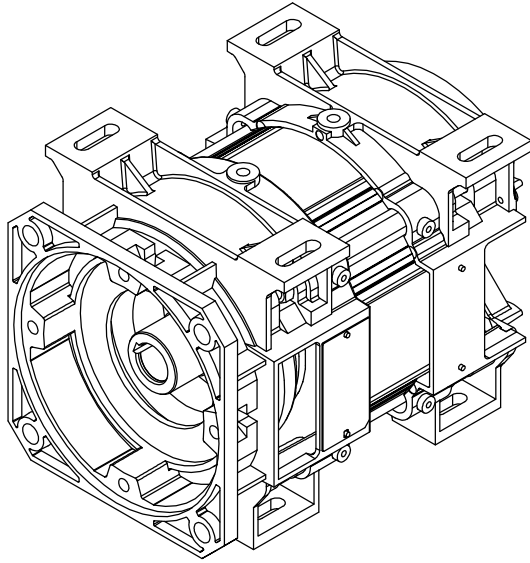
Shaft / hole Ø38 mm Flange Ø220 mm

50 Hz  
 S792---T-NE-  
 1703-07

MOTORI TRIFASI THREE PHASE MOTORS DREIPHASEENMOTOREN MOTEURS TRIPHASES

IN ANY MOMENT AND WITHOUT NOTICE ELMO CAN CHANGE MANUFACTURING PROCESS, PERFORMANCE FEATURES.

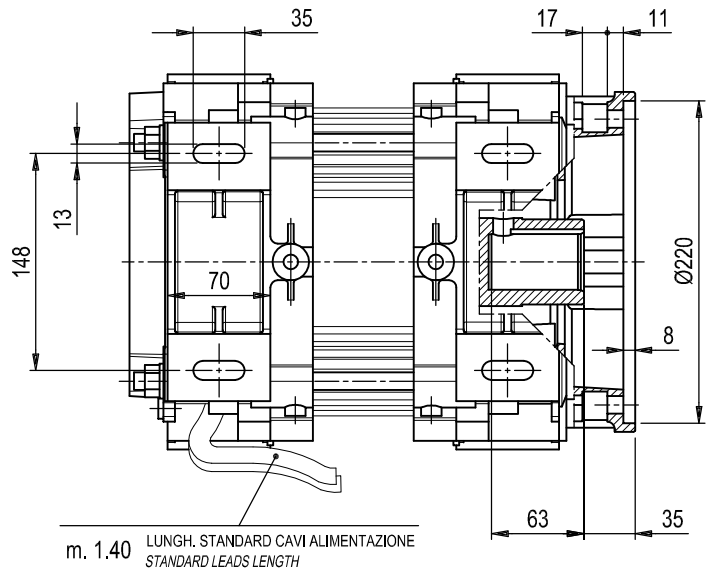
LA ELMO S.r.l. SI RISERVA IL DIRITTO DI APPORTARE QUALSIASI VARIAZIONE SENZA ALCUN PREAVVISO.



Nominal output shown with **A5- kW** is equal to 105 kW  
 La potenza in targhetta espressa con **A5- kW** equivale a 105 kW

**MOTORS WITHOUT FLYWHEEL**

TIPO - TYPE	GRANDEZZA - ACCOPPIAM. SIZE - SUITABLE TO	POLARITA' - POLES SERIE - INTERNAL SERIES	POTENZA A 50 Hz NOMINAL OUTPUT AT 50 Hz	TRIFASE - THREE PHASE	TENSIONE VOLTAGE	50 Hz - CYCLES AT 50 Hz ATTACCHI - FEET TERMINALI - LEAD TERMINAL	DIMENSIONI DIMENSION	POTENZA A 50 Hz NOMINAL OUTPUT AT 50 Hz
G	7 9	2	kW	T	V	N F	L h H	HP
			3				375 87	227 4 5 -
			4				395	247 5 4 -
			4				420	272 6 4 -
			6				460	312 8 2 -
			7				510	362 1 0 5
			9				565	417 1 2 2
			<b>A 5</b>				615	467 1 4 3



m. 1.40 LUNGH. STANDARD CAVI ALIMENTAZIONE  
 STANDARD LEADS LENGTH